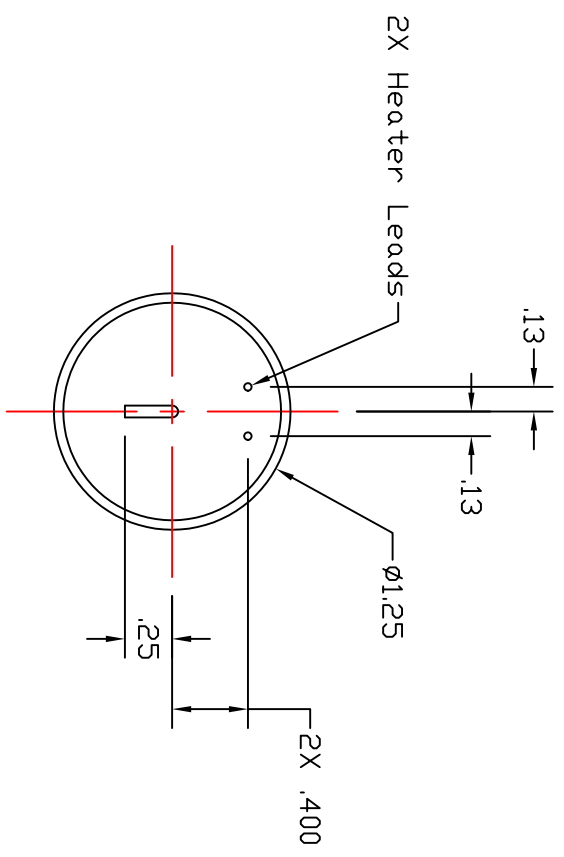
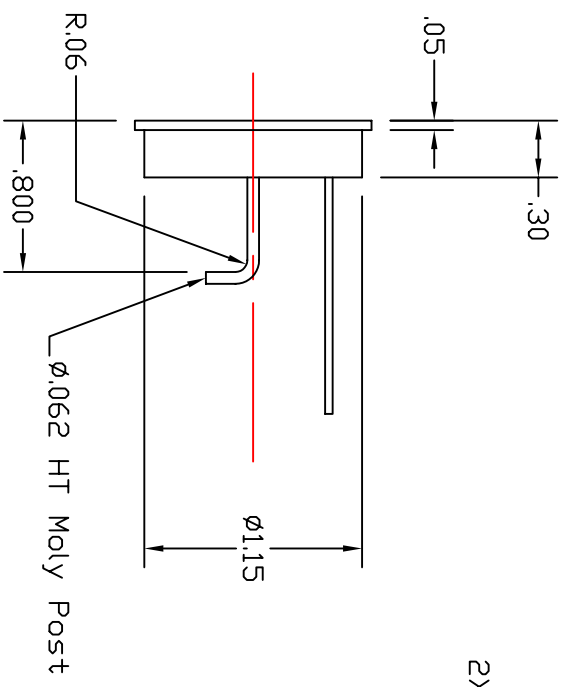


Dash # Next Assembly

- -

REVISIONS		
REV	DESCRIPTION	DATE



This document is the property of HeatWave Labs. Its contents may not be reproduced or distributed without express written permission of HeatWave Labs.

UNLESS OTHERWISE SPECIFIED
ALL DIMENSIONS ARE IN INCHES.
TOLERANCES ARE:
XXXX = ±.005 XX = ±.020
XXXXX = ±.0005
FINISH 63 MICRONDINGERS
ANGLES 0 DEGREE ±30 MINUTES
EDGES AND CORNERS .005 R MAX

MATERIAL
Noted

DO NOT SCALE DRAWING

Qty.	Part #	Description	Item #

BY DATE

HeatWave Labs, Inc.
195 Aviation Way, Suite 100 (831) 722-9081
Watsonville, Ca. 95076 Fax: (831) 722-5491
Website: www.cathode.com

DRAWN ENGR M.Curtis 6/3/03

SIZE A Cage Code 1VAN4 DWG. NO. 102198 REV -

Ø1.25 UHV Heater

THIRD ANGLE PROJECTION SCALE: 1x SHEET: 1/1