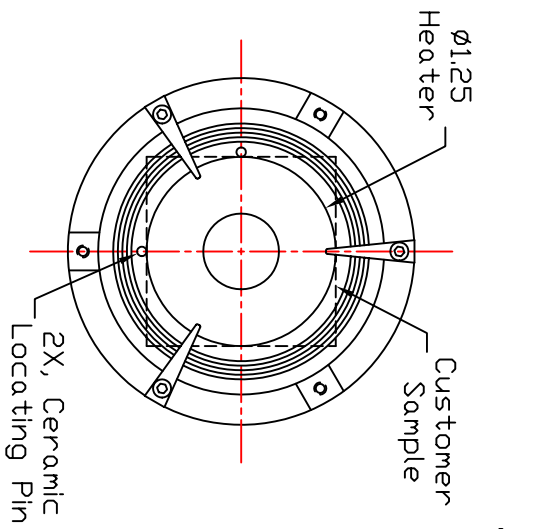
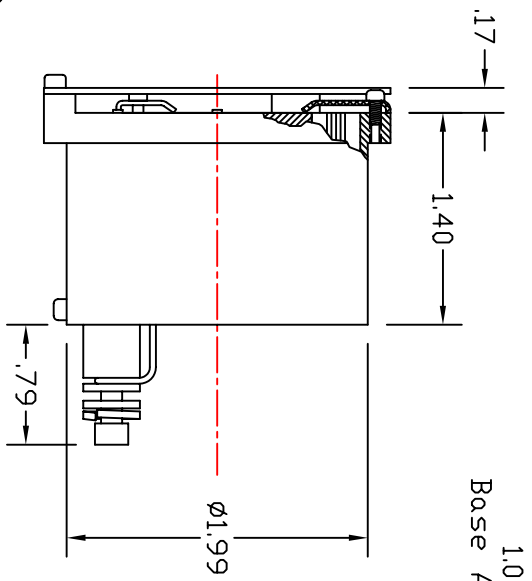


| | |
|--------|---------------|
| Dash # | Next Assembly |
| - | - |

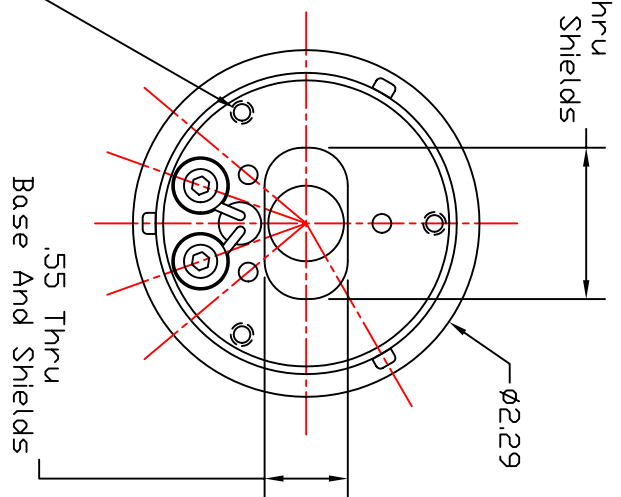
| REVISIONS | | DATE | APPROVED |
|-----------|-------------|------|----------|
| REV | DESCRIPTION | | |



This View Shown Without Front Shield For Clarity



3X #6-32 UNC Thru
Dn $\phi 1.695$ BHC @ 120°
(Mounting Holes)



- Notes:
1. Heater rated to 1000°C in oxidizing atmosphere. Estimated operation: 6A, 18V @ 800°C
9A, 27V @ 1000°C

This document is the property of HeatWave Labs. Its contents may not be reproduced or distributed without express written permission of HeatWave Labs.

UNLESS OTHERWISE SPECIFIED
ALL DIMENSIONS ARE IN INCHES.

TOLERANCES ARE:
XXX = $\pm .005$ XX = $\pm .020$
XXXX = $\pm .0005$
FINISH 63 MICRONDICHES
ANGLES 0 DEGREE ± 30 MINUTES
EDGES AND CORNERS .005 R MAX

MATERIAL
-

DD NOT SCALE DRAWING

| Qty. | Part # | Description | Item # |
|------|--------|--|--------|
| 1 | 102193 | $\phi 1.25$ D2 Heater/Housing Assembly | - |

BY DATE

HeatWave Labs, Inc.
195 Aviation Way, Suite 100 (831) 722-9081
Watsonville, Ca. 95076 Fax: (831) 722-5491
Website: www.ca.thode.com

195 Aviation Way, Suite 100 (831) 722-9081
Watsonville, Ca. 95076 Fax: (831) 722-5491
Website: www.ca.thode.com

SIZE A Cage Code 1VAN4 DWG. NO. 102192 REV -

THIRD ANGLE PROJECTION SCALE: 0.8X SHEET: 1/1