

Dash #	Next Assembly
-	101872
-	103162

REVISIONS			
REV	DESCRIPTION	DATE	APPROVED
A	Added GH-7 to top designation.	6/7/02	MC
B	Added Table A.	2/4/04	MC
C	Changed lead length, notes and next assembly.	1/21/08	MC
C1	Added -03.	8/24/09	MC

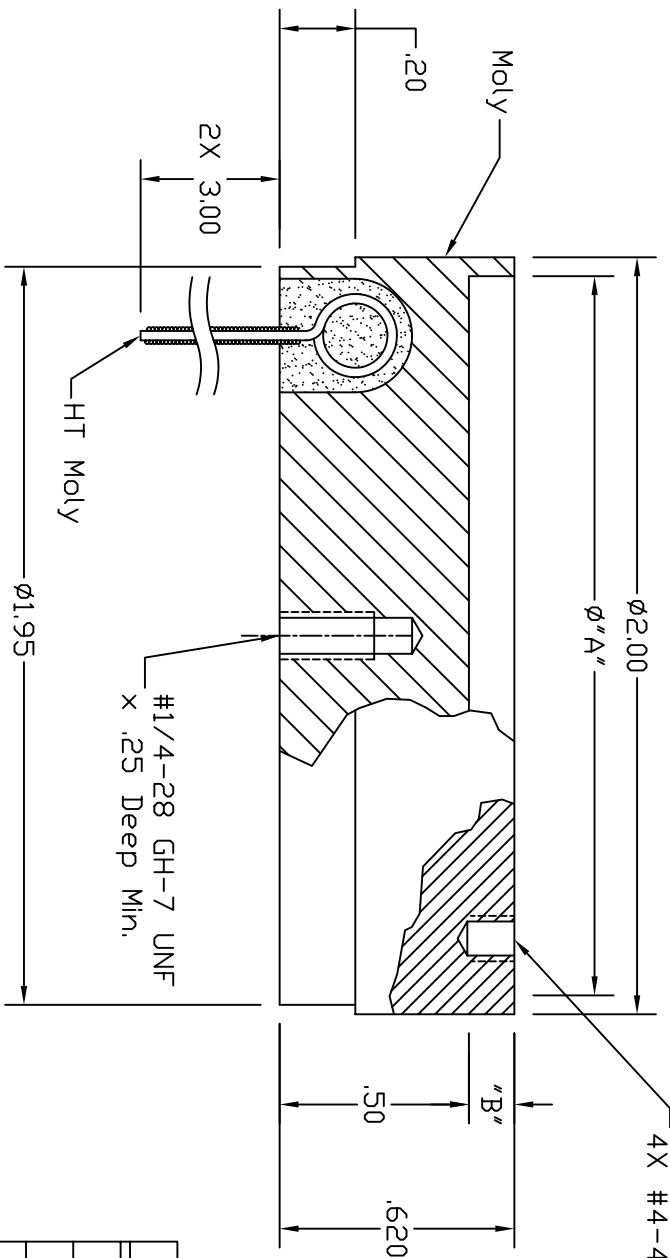


Table A

Dash #	$\phi 'A'$	$'B'$	$'C'$
-01	1.900	.12	No
-02	-	-	No
-03	-	-	Yes

- Notes:
1. Target Operation:
10V, 14.5A @ 1000°C
22V, 21.0A @ 1200°C
 2. Optional stem for mounting is part number 101874.

This document is the property of HeatWave Labs. Its contents may not be reproduced or distributed without express written permission of HeatWave Labs.

UNLESS OTHERWISE SPECIFIED
ALL DIMENSIONS ARE IN INCHES.
TOLERANCES ARE:
XXXX = ±.005 XX = ±.020
FINISH 63 MICROINCHES
ANGLES 0 DEGREE ±30 MINUTES
EDGES AND CORNERS .005 R MAX

MATERIAL
Noted

DD NOT SCALE DRAWING

Qty.	Part #	Description	Item #
		HeatWave Labs, Inc. 195 Aviation Way, Suite 100 (831) 722-9081 Watsonville, Ca. 95076 Fax: (831) 722-5491 Website: www.cathode.com	
BY	DATE	1200°C UHV Heater	
ENGR	M.Curtis	6/3/02	
DRAWN			
SIZE	Cage Code	DWG. NO.	REV
A	1YAN4	101920	C1
THIRD ANGLE PROJECTION SCALE: 2X			SHEET: 1/1