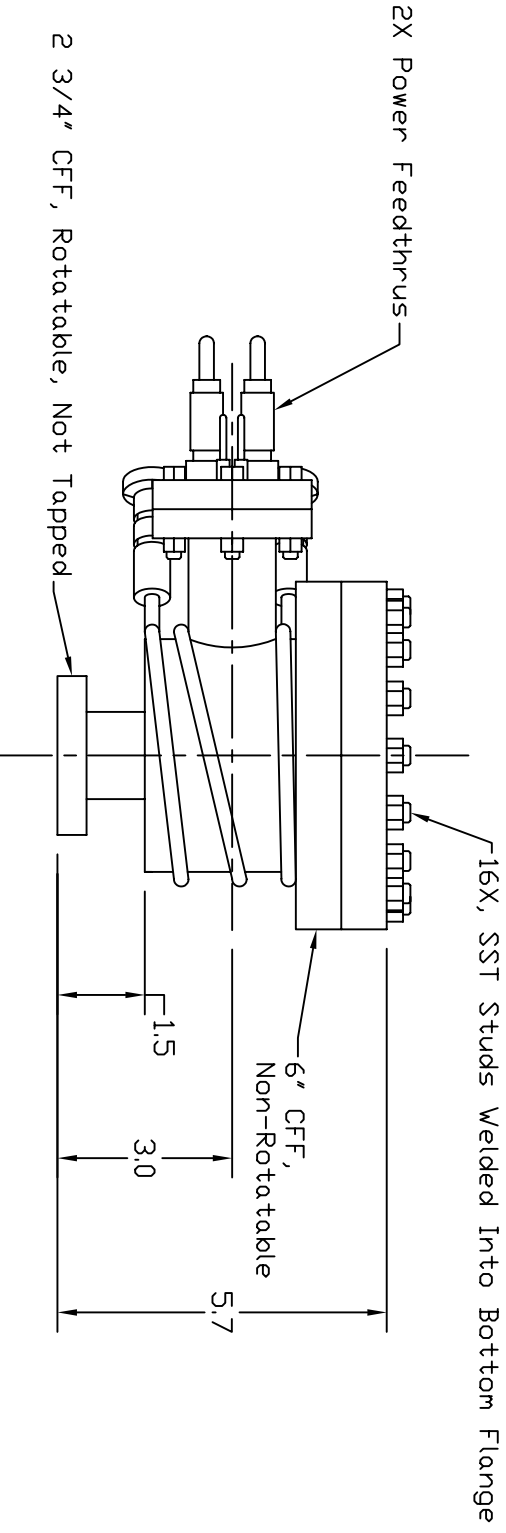
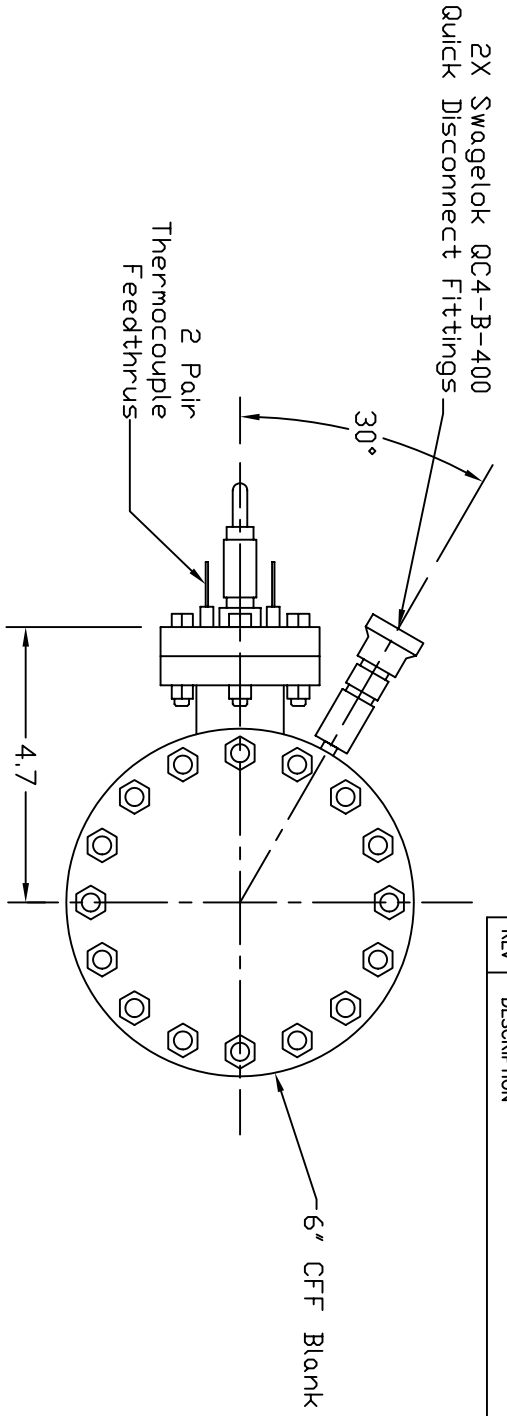


REVISIONS

REV	DESCRIPTION	DATE	APPROVED



Notes:  
1.

This document is the property of HeatWave Labs. Its contents may not be reproduced or distributed without express written permission of HeatWave Labs.

UNLESS OTHERWISE SPECIFIED  
ALL DIMENSIONS ARE IN INCHES.  
TOLERANCES ARE:  
XXXX = ±.005 XX = ±.020  
XXXXX = ±.0005  
FINISH 63 MICRONDINGS  
ANGLES 0 DEGREE ±30 MINUTES  
EDGES AND CORNERS .005 R MAX

<p><b>HeatWave Labs, Inc.</b> 195 Aviation Way, Suite 100 (831) 722-9081 Watsonville, Ca. 95076 Fax: (831) 722-5491 Website: www.cathode.com</p>		<p>800 Deg. C, Water Cooled Vacuum Furnace</p>	
BY	DATE	SIZE	REV
ENGR	7/16/01	A	-
<p>DD NOT SCALE DRAWING</p>		<p>THIRD ANGLE PROJECTION</p>	<p>SCALE: 0.3X</p>
<p>SHEET: 1/2</p>		<p>DWG. NO. 101693</p>	