

REVISIONS

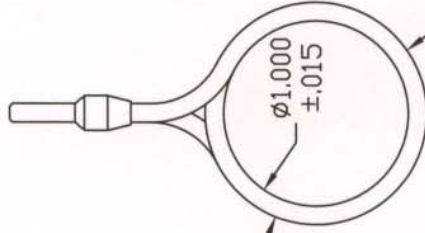
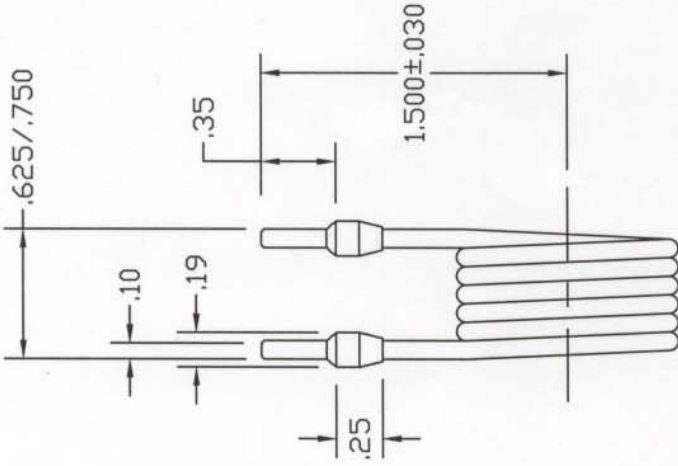
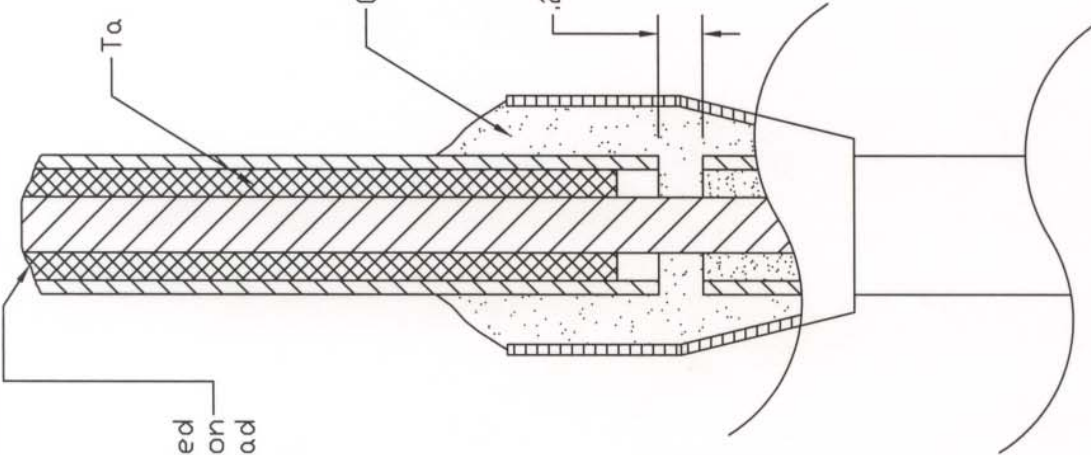
REV	DESCRIPTION	DATE	APPROVED

Ta Sleeve Insert

Ceramic Insulation

.20 Min. Gap

Welded Termination Ground Lead



$\phi .040$ Ta Core Heater Wire,
6 Turns with $\phi .100 \times .015$ Wall
Ta Sheath, Alumina Insulation

Notes:
1.

Detail A
Scale: 7.5x

This document is the property of HeatWave. Its contents may not be reproduced or distributed without express written permission of HeatWave.

UNLESS OTHERWISE SPECIFIED
ALL DIMENSIONS ARE IN INCHES.
TOLERANCES ARE:
XXX = ±.005 XX = ±.020
XXX = ±.0005
FINISH 63 MICROINCHES
ANGLES 0 DEGREE ±30 MINUTES
EDGES AND CORNERS .005 R MAX

MATERIAL
Noted

DO NOT SCALE DRAWING

HeatWave

BY	DATE
M.Curtis	8/10/99
ENGR	

310 Emerald City Way Phone: (831) 722-9081
Watsonville, Ca. 95076 Fax: (831) 722-5491
Website: www.cathode.com

Reservoir Heater

SIZE	FSCN NO.	DWG. NO.	REV
A		1422	-
THIRD ANGLE PROJECTION		SCALE: 1x	SHEET: 1/1