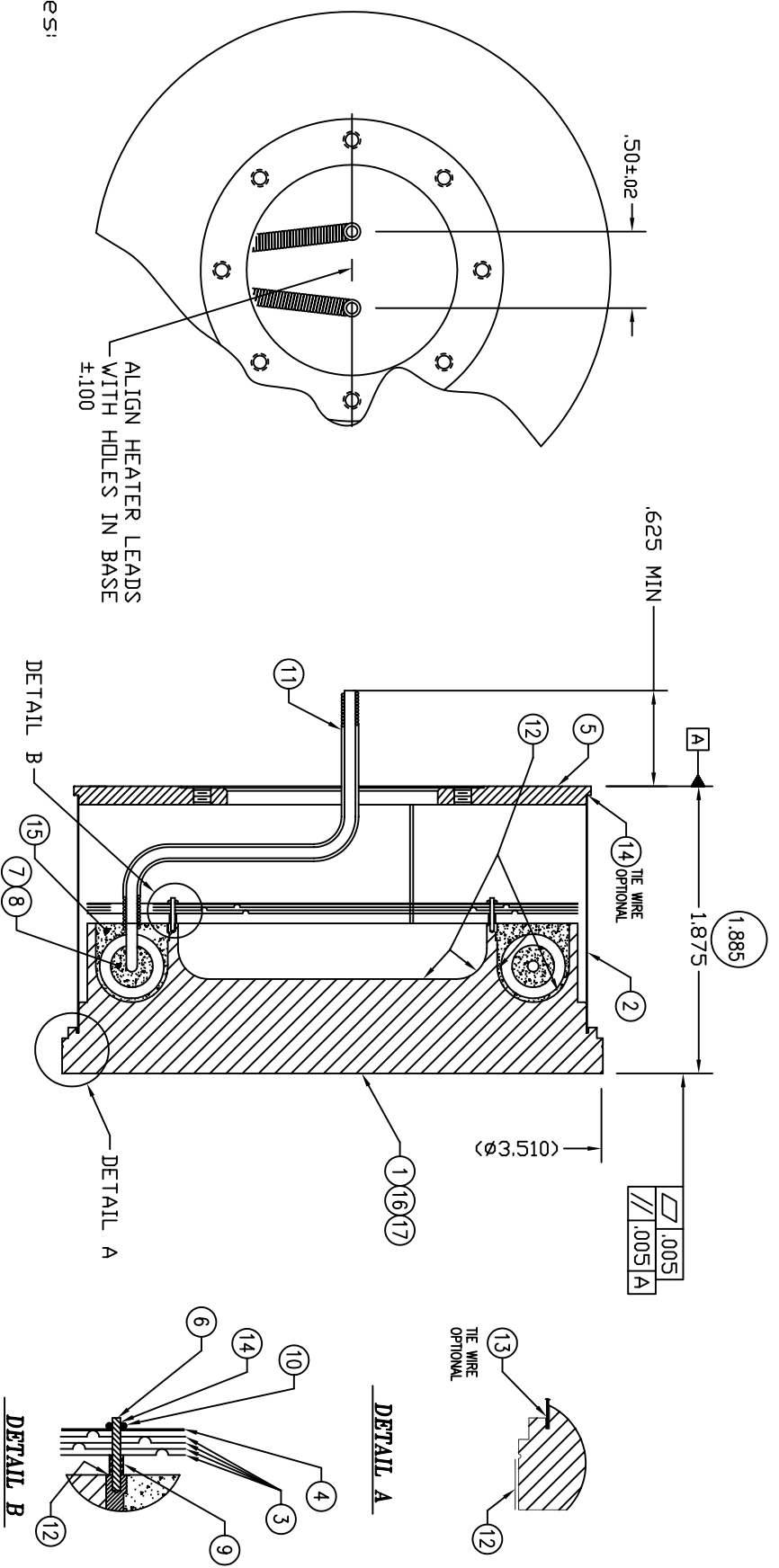


REVISIONS			
REV	DESCRIPTION	DATE	APPROVED
B2	Redrawn on ACAD.	12/18/01	MC



Notes:
1.

This document is the property of HeatWave Labs. Its contents may not be reproduced or distributed without express written permission of HeatWave Labs.

UNLESS OTHERWISE SPECIFIED ALL DIMENSIONS ARE IN INCHES. TOLERANCES ARE: .XXX = ±.005 .XX = ±.020 .XXXX = ±.0005 FINISH 63 MICROINCHES ANGLES 0 DEGREE ±30 MINUTES EDGES AND CORNERS .005 R MAX
MATERIAL —
DO NOT SCALE DRAWING

Qty.	Part #	Description	Item #
		HeatWave Labs, Inc. 195 Aviation Way, Suite 100 (831) 722-9081 Watsonville, Ca. 95076 Fax: (831) 722-5491 Website: www.athode.com	
		Planer Type 61280 M Cathode	
		BY DATE	
		ENGR M Curtis 12/18/01	
		SIZE A	
		FSCN NO. DWG. NO. 101324	
		SCALE: 0.9x	
		SHEET: 1/1	
		REV B2	