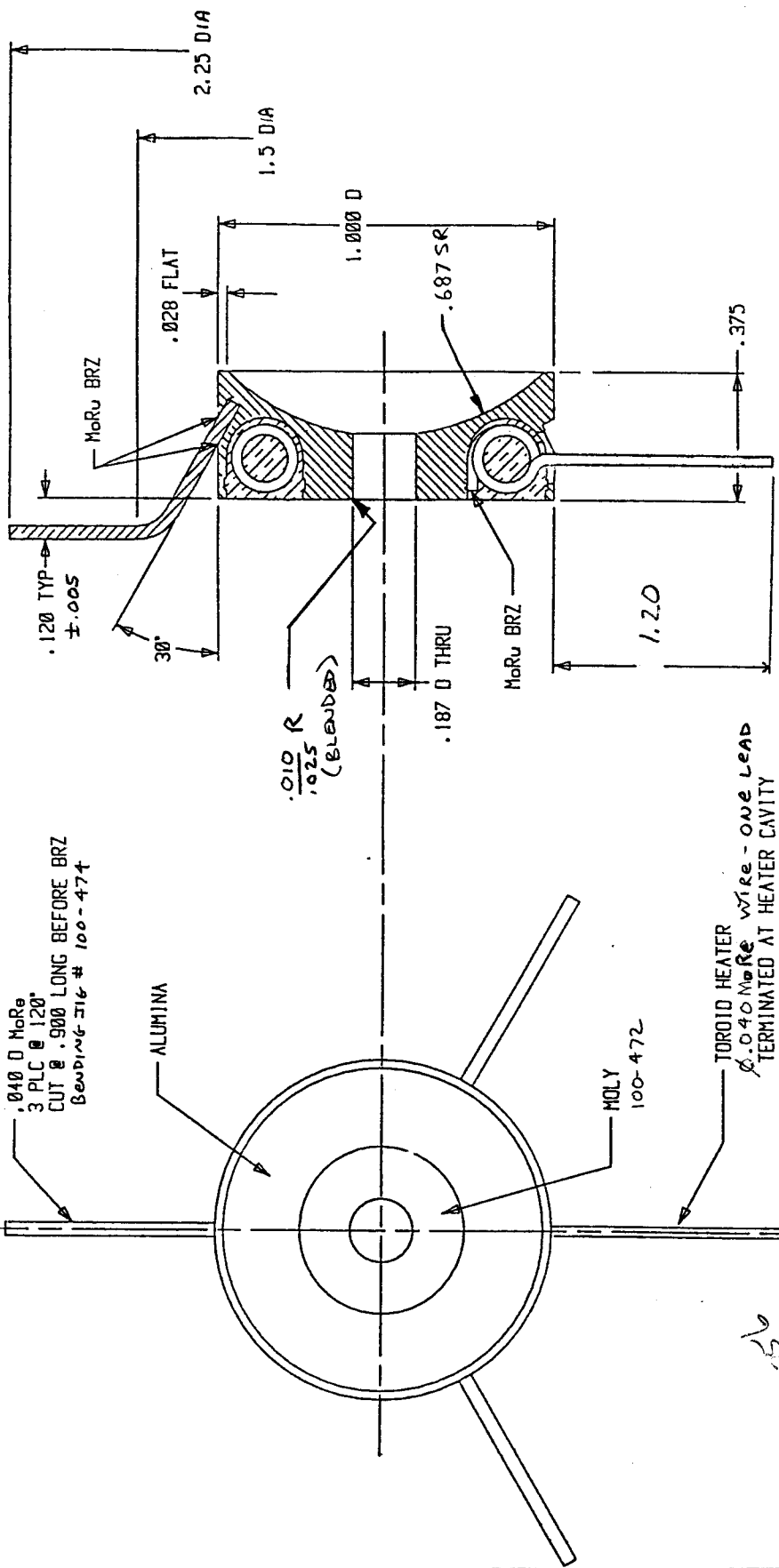


PART NO: 101278

NOTES (CONT)
 A. ACTUAL TEST DATA IN CUST FE/MOUNT: { 1000 °C 616V 12.22A
 1110 °C 7.8V 14.06A
 1210 °C 9.5V 15.8A
 WITH BODY AND HEATER LEAD FIXED,
 LEGS MUST FIT INTO G075 WIDE SLOTS
 LOCATED AS SHOWN (B2)



REV	DESCRIPTION	ECD	DATE	APPROVED
A	ADD PAGE 2 NOTES, .010/.025 R		1/22/98	KMB
A1	ADD "BLENDED", FIX NOTE 5.		10/14/99	KMB

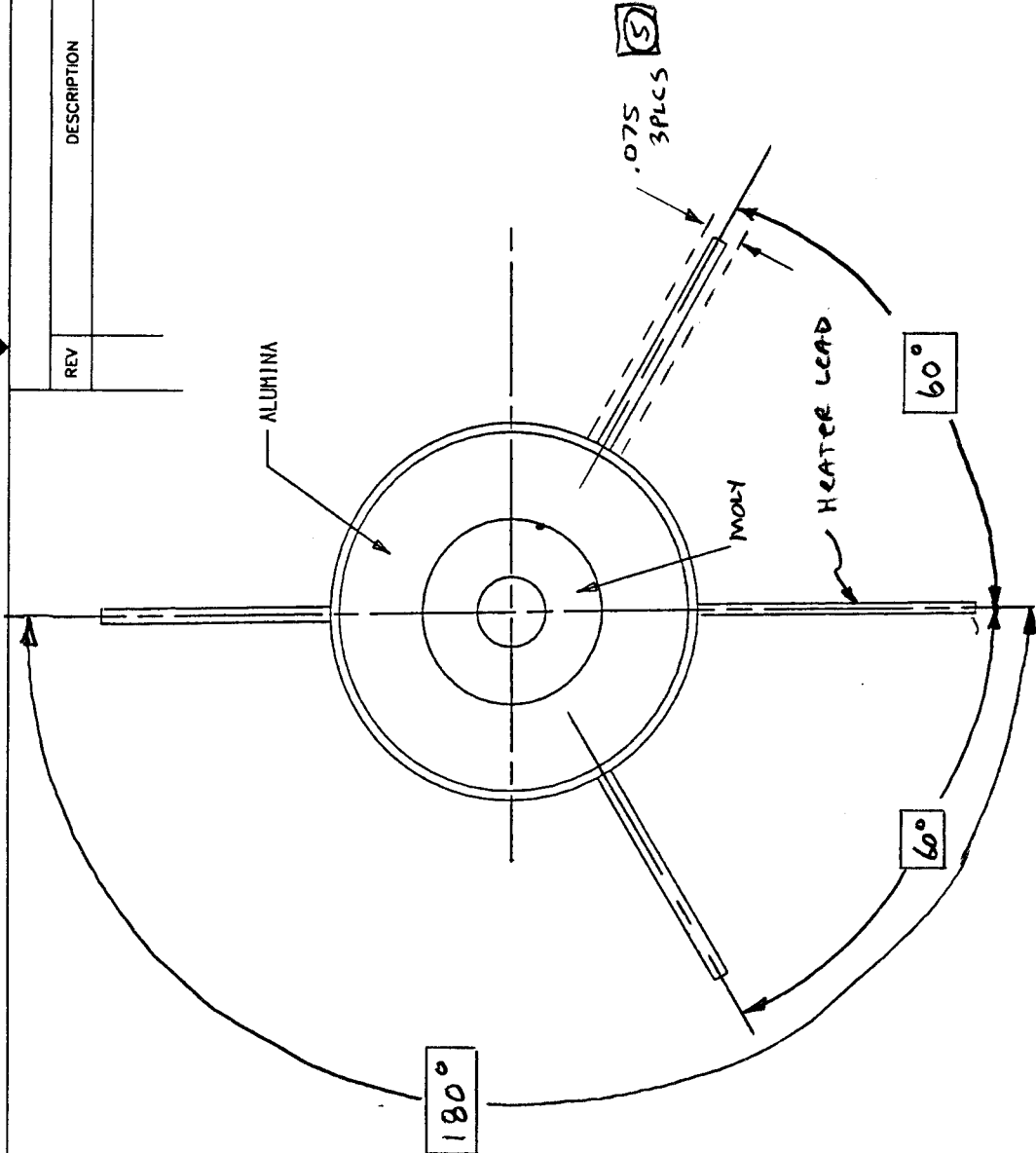
UNLESS OTHERWISE SPECIFIED ALL DIMENSIONS ARE IN INCHES.		BY	DATE
.XX = ±.005	.XX = ±.020	DRAWN	
.XXX = ±.0005	.XXX = ±.0005	CHK	
FINISH 32 MICROINCHES		ENGRG	GUNTHER 11/21/96
ANGLES 37.5 MINUTES		APPRO	
EDGES & CORNERS .005 R MAX		Q.829, (00-471), (103-168)	
MATERIAL NOTED		DO NOT SCALE DRAWING	
HeatWave 765 CALABASAS ROAD, WATSONVILLE, CA 95076 TELEPHONE: (408) 722-9081 FAX: (408) 722-5491			
φ1.0 TOROID HEATER w/ .687 SR AND MoRu HEATER			
SIZE	FSCN NO.	DWG. NO.	REV
A		101278	A1
HARD ANGLE PROJECTION		SCALE: N/A	SHEET: 1/2

NOTE:
 1. SIM TO 1058, 1143, 1057
 2. HOT RESISTANCE TARGET TO BE SAME AS # 1057
 3. MINIMIZE GAP BETWEEN ENDS OF COIL.
 This document is property of HeatWave. Its contents may not be reproduced or distributed without express written permission of HeatWave.

PART NO: 1278

REVISIONS

REV	DESCRIPTION	ECD	DATE	APPROVED



<p>UNLESS OTHERWISE SPECIFIED ALL DIMENSIONS ARE IN INCHES.</p> <p>.XXX = ±.005 .XX = ±.020 .XXXX = ±.0005 FINISH 32 MICROINCHES ANGLES ±30 MINUTES EDGES & CORNERS .005 R MAX</p>		<p>BY DATE</p>	<p>765 CALABASAS ROAD, WATSONVILLE, CA 95076 HeatWave TELEPHONE: (408) 722-9081 FAX: (408) 722-5491</p>
<p>DRAWN</p>	<p>CHK</p>	<p>ENGRG <i>Gwuther</i></p>	<p>φ 1.0 IONIZER HEATER</p>
<p>MATERIAL</p>		<p>SIZE FSCN NO. DWG. NO. 1278</p>	<p>REV</p>
<p>DO NOT SCALE DRAWING</p>		<p>THIRD ANGLE PROJECTION</p>	<p>SCALE: 2/2</p>

This document is property of HeatWave. Its contents may not be reproduced or distributed without express written permission of HeatWave.