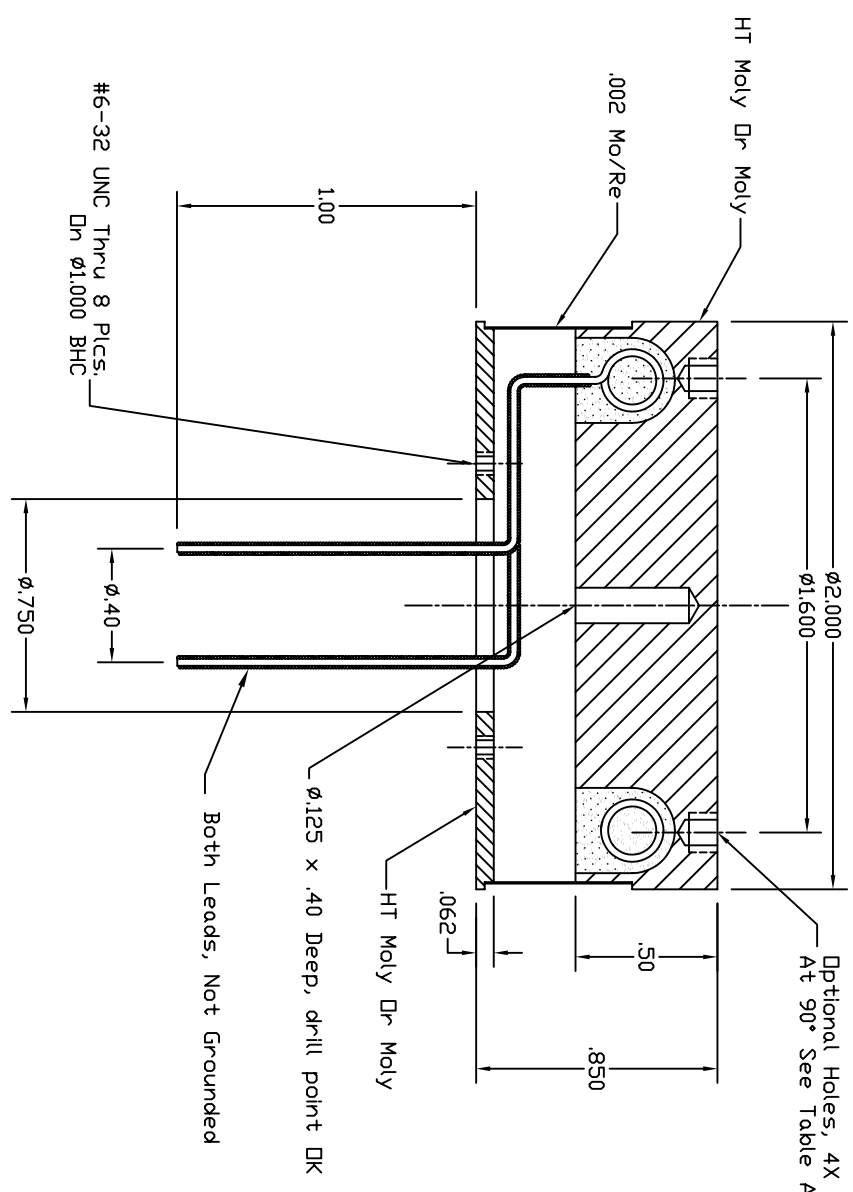


Table A

Dash #	Hole Size
-01	No Holes
-02	#4-40 UNC

REVISIONS			
REV	DESCRIPTION	DATE	APPROVED
A	.79 was .780	4/30/96	KMG
B	Drawn on Cad.	3/12/99	MC
C	Change lead configuration and misc.	10/17/01	MC
C1	Added dash numbers.	12/4/01	MC



- Notes:
1. Typical operation:  
13V, 15A, 1000°C  
23V, 16A, 1200°C

This document is the property of HeatWave Labs, Inc. Its contents may not be reproduced or distributed without express written permission of HeatWave Labs, Inc.

UNLESS OTHERWISE SPECIFIED ALL DIMENSIONS ARE IN INCHES. TOLERANCES ARE:  
 .XXX =  $\pm .005$  .XX =  $\pm .020$   
 .XXXX =  $\pm .0005$  .XX =  $\pm .020$   
 FINISH G3 MICRONDUNCES  
 ANGLES 0 DEGREE  $\pm 30$  MINUTES  
 EDGES AND CORNERS .005 R MAX

MATERIAL  
Noted

DD NOT SCALE DRAWING

HeatWave Labs, Inc. 195 Aviation Way, Suite 100 (831) 722-9081  
 Watsonville, Ca. 95076 Fax: (831) 722-5491

BY DATE  
 DRAWN M. Curtis 3-12-99

SIZE FSCN NO. DWG. NO. REV  
 A  $\phi 2.000$  Moly Heater 101089 C1

THIRD ANGLE PROJECTION SCALE: 1.5X SHEET: