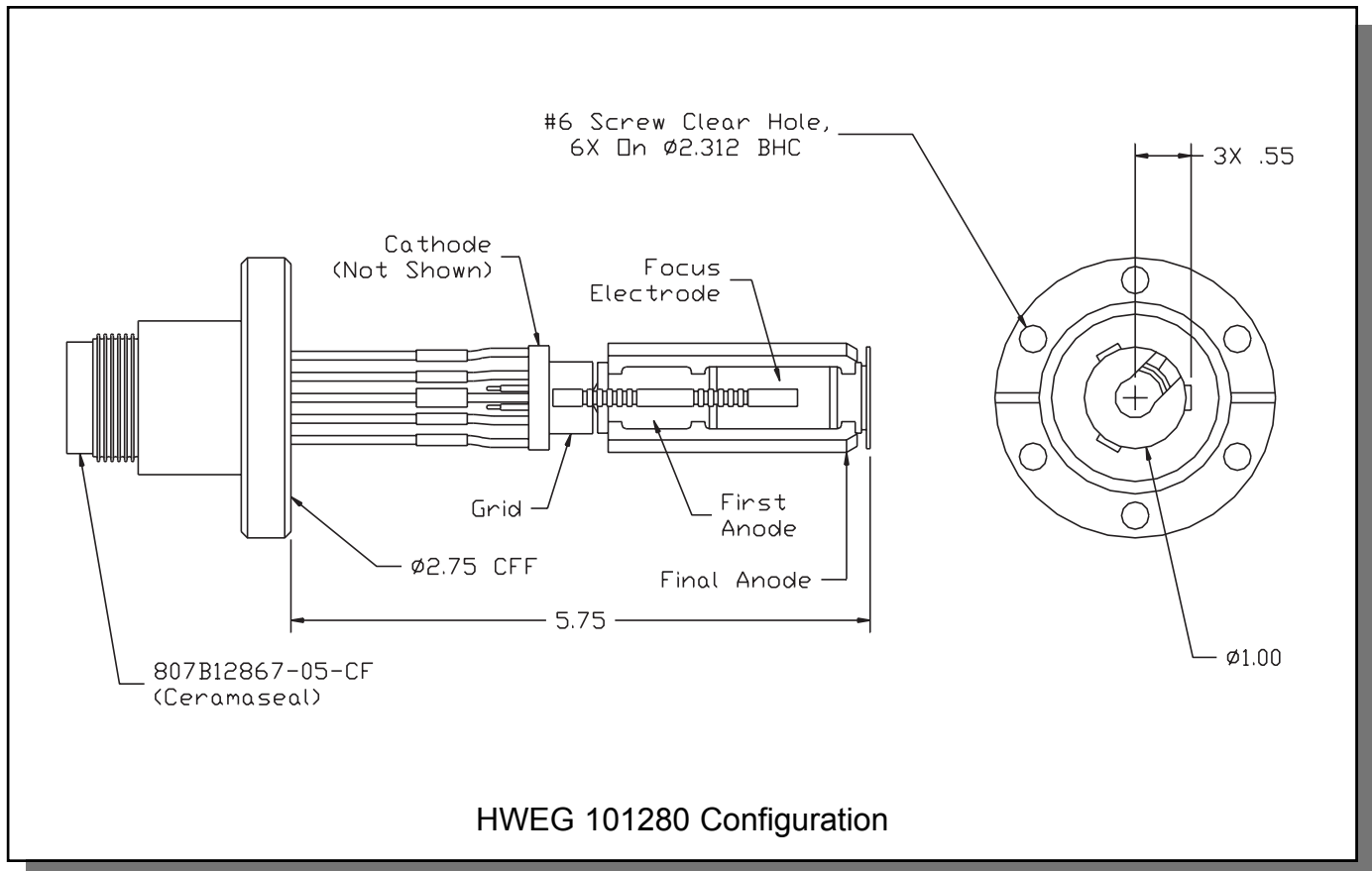


Nonsequitur Model 1500 Electron Gun Specifications

HeatWave Labs Model 101280

Maximum Operating Voltage	10kV
Maximum Beam Current	30mA
Spot Size (20mm WD)	0.5-1.0mm @ 30mA, 0.1mm @ 1mA
Focus	Electrostatic
Grid Voltage (Modified Pierce Electrode)	-1000V (max) with respect to cathode for beam cutoff
Emitter Type	Tungsten heated by electron bombardment (7mA @ 2kV, filament approx. 1.4A @ 4V, emission regulated) Field replaceable
Emitter Life	Better than 2000 hours
Vacuum Requirement	1 x 10 ⁻⁶ Torr or better
Electrical Feedthrough	Ceramaseal P/N 807B12867-05-CF
Flange	2.75 Diameter CFF



HWEG 101280 Configuration