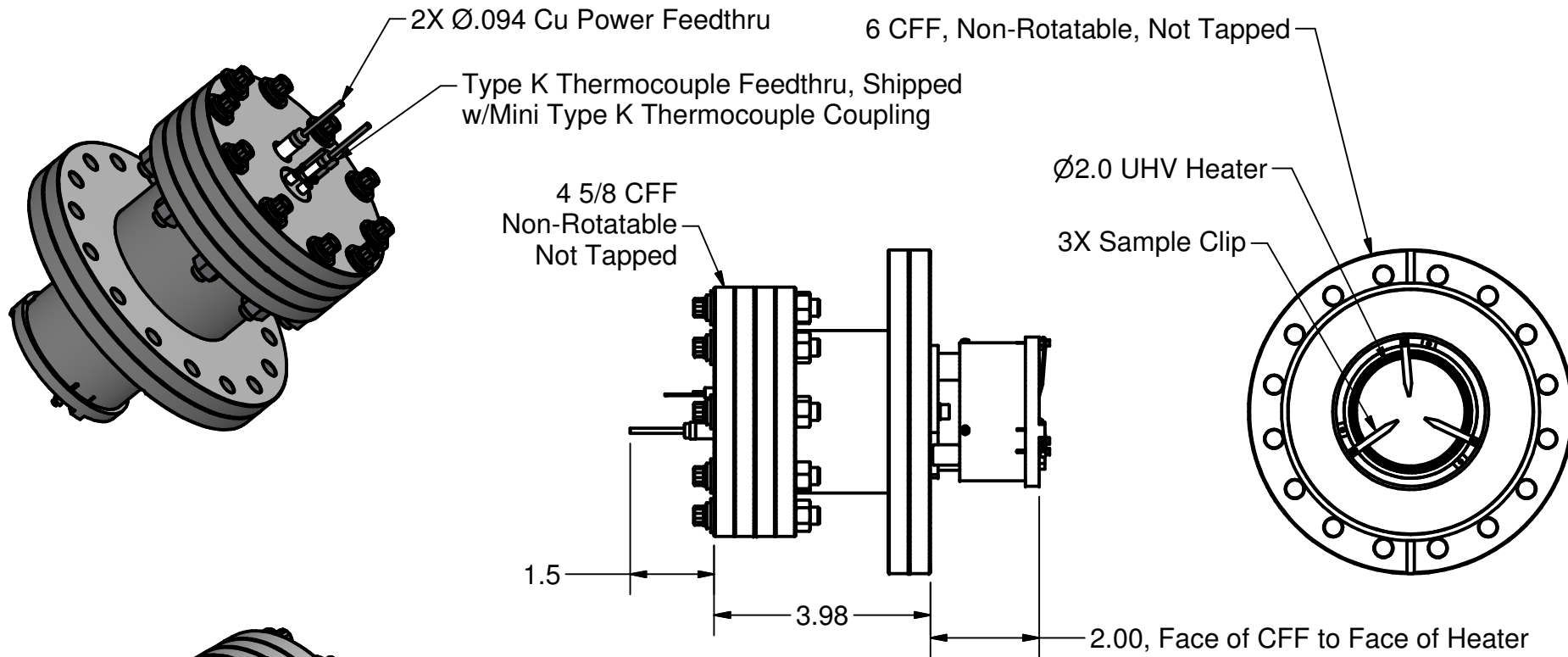


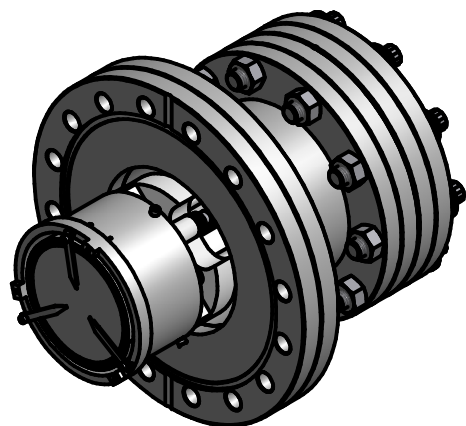
PARTS LIST

ITEM	QTY	PART NUMBER	DESCRIPTION
1	1	106986	6 CFF Mounted UHV Heater, BOM



Notes:

1. The heater has one lead grounded internally. This makes the heater common to the housing and sample clips. It is not common to the CFF.



DRAWN mcurtis	7/22/2011
CHECKED	
QA	
MFG	
APPROVED	
Material:	

<i>HeatWave Labs, Inc.</i>		195 Aviation Way, Suite 100 P: 831-722-9081 Watsonville, CA 95076 F: 831-722-5491 www.cathode.com	
6 CFF Mounted Ø2.0 UHV Heater Assembly			
SIZE A	Cage Code: 1YAN4	DWG NO 106919	REV
SCALE 1/3			SHEET 1 OF 1

This document is the property of HeatWave Labs. Its contents may not be reproduced without express written permission of HeatWave Labs.