

2



1

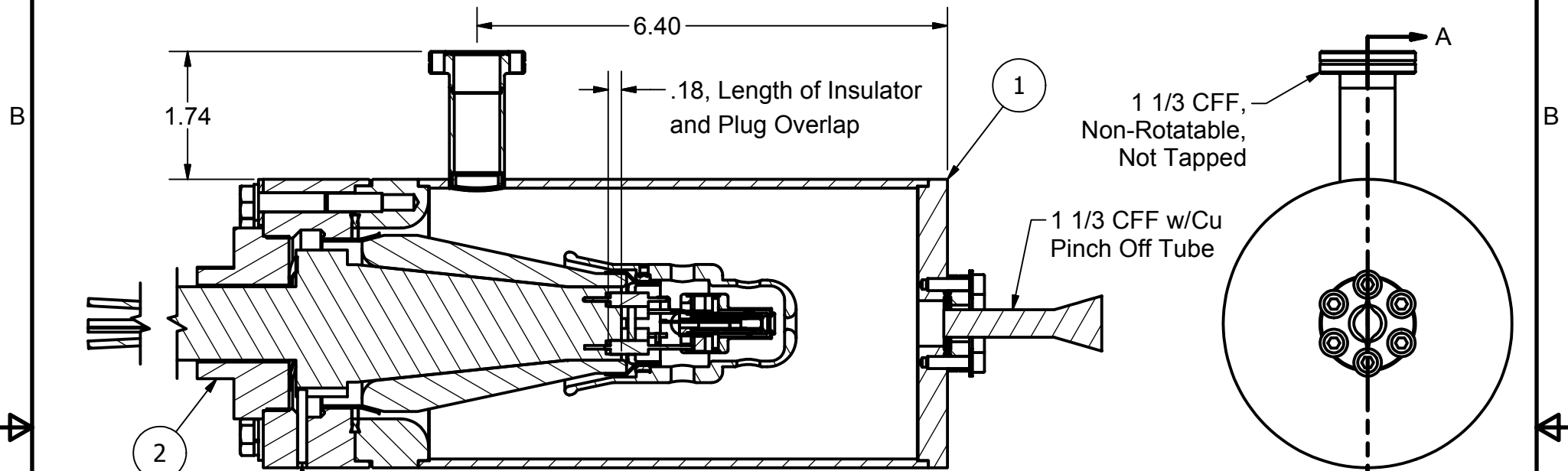
105552

PARTS LIST

ITEM	QTY	PART NUMBER	DESCRIPTION
1	1	105452	50kV E-Gun Assembly
2	1	105575	HV Plug & Cable Assembly

REVISION HISTORY

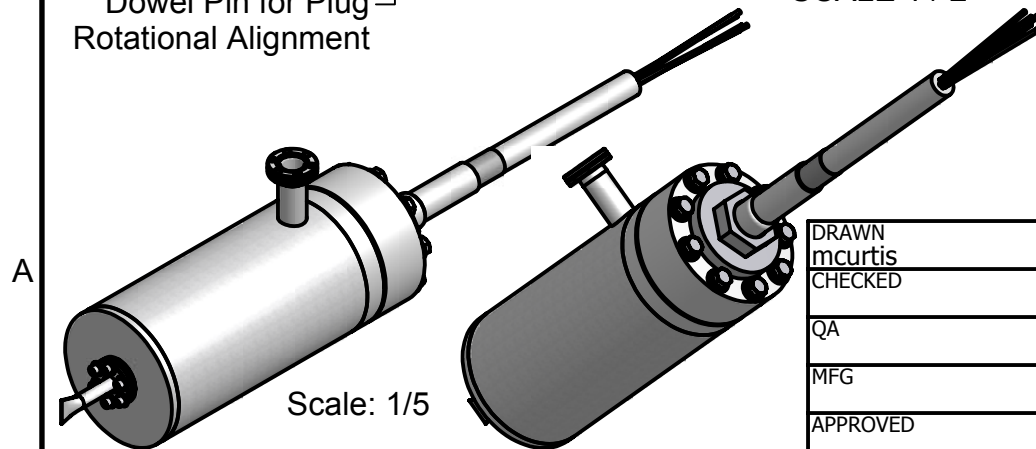
REV	DESCRIPTION	DATE	APPROVE
A	Manufacturing release.	1/7/10	MC
B	Added pumping port.	3/18/10	MC



SECTION A-A
SCALE 1 / 2

Dowel Pin for Plug
Rotational Alignment

Notes:
 1. Assembly is baked out at 400°C and pinched off per HWL standard e-gun processing and shipped under vacuum.



Scale: 1/5

This document is the property of HeatWave Labs. Its contents may not be reproduced without express written permission of HeatWave Labs.

DRAWN mcurtis	12/18/2009
CHECKED	
QA	
MFG	
APPROVED	
Material:	
-	

HeatWave Labs, Inc.
 195 Aviation Way, Suite 100 P: 831-722-9081
 Watsonville, CA 95076 F: 831-722-5491
 www.cathode.com

50kV E-Gun Assembly w/HV Plug & Cable

SIZE A	Cage Code: 1YAN4	DWG NO 105552	REV B
SCALE 1/4			SHEET 1 OF 1

2



1