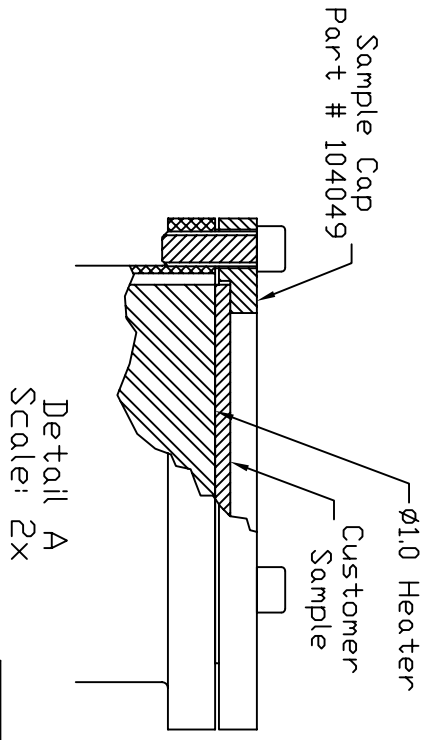
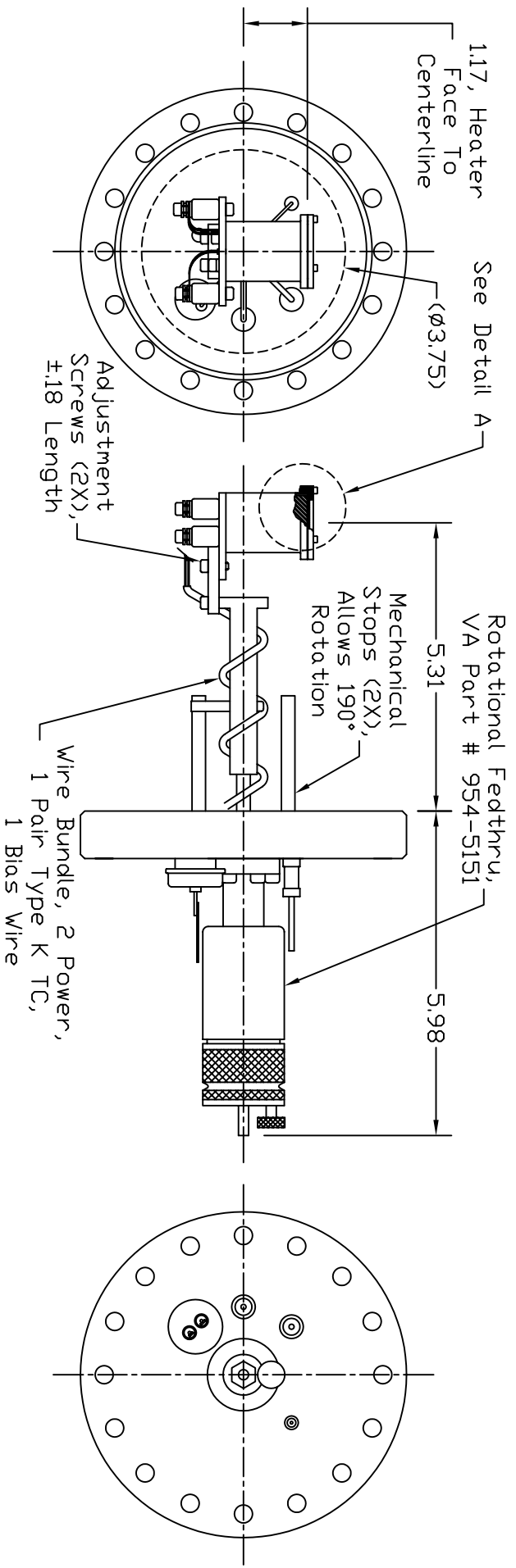


Dash # Next Assembly  
- -

REV	DESCRIPTION	DATE	APPROVED



Detail A  
Scale: 2x

This document is the property of HeatWave Labs. Its contents may not be reproduced or distributed without express written permission of HeatWave Labs.

- Notes:
1. Assembly fits inside a  $\phi 3.75$  bore.
  2. Bias wire is common to heater housing.
  3. Heater is electrically isolated.
  4. Estimated operation:  
8.5V, 5.8A @ 900°C      13.6V, 7.5A @ 1100°C  
10.9V, 6.6A @ 1000°C    16.0V, 8.0A @ 1200°C

UNLESS OTHERWISE SPECIFIED  
ALL DIMENSIONS ARE IN INCHES.  
TOLERANCES ARE:  
XXXX =  $\pm 0.05$     XX =  $\pm 0.20$   
XXXXX =  $\pm 0.005$   
FINISH 63 MICRONDICES  
ANGLES 0 DEGREE  $\pm 30$  MINUTES  
EDGES AND CORNERS .005 R MAX

MATERIAL  
-

DD NOT SCALE DRAWING

Qty.	Part #	Description	Item #
1	104050	Adjustable Mounting Block	3
1	104049	Sample Cap	2
1	104048	6 CFF Mounted 101491 Assy.	1

**HeatWave Labs, Inc.**  
195 Aviation Way, Suite 100 (831) 722-9081  
Watsonville, Ca. 95076 Fax: (831) 722-5491  
Website: www.ca.thode.com

BY	DATE	SIZE	Cage Code	DWG. NO.	REV
ENGR	M:Cur'tis	2/13/07	A	1YAN4	104006
DRAWN		6 CFF Mounted		101491 Assembly	
ENGR		SCALE: 0.35X		SHEET: 1/1	