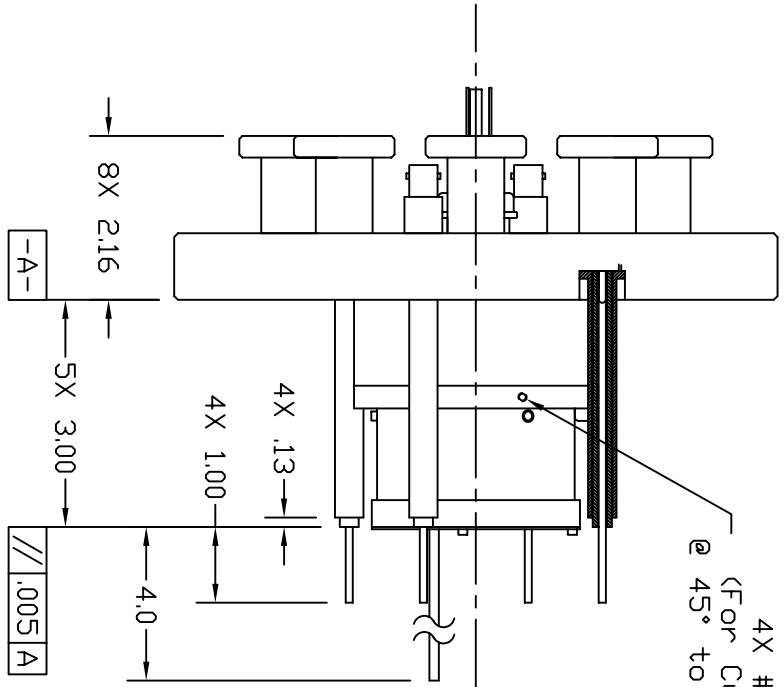


| | |
|--------|---------------|
| Dash # | Next Assembly |
| - | - |

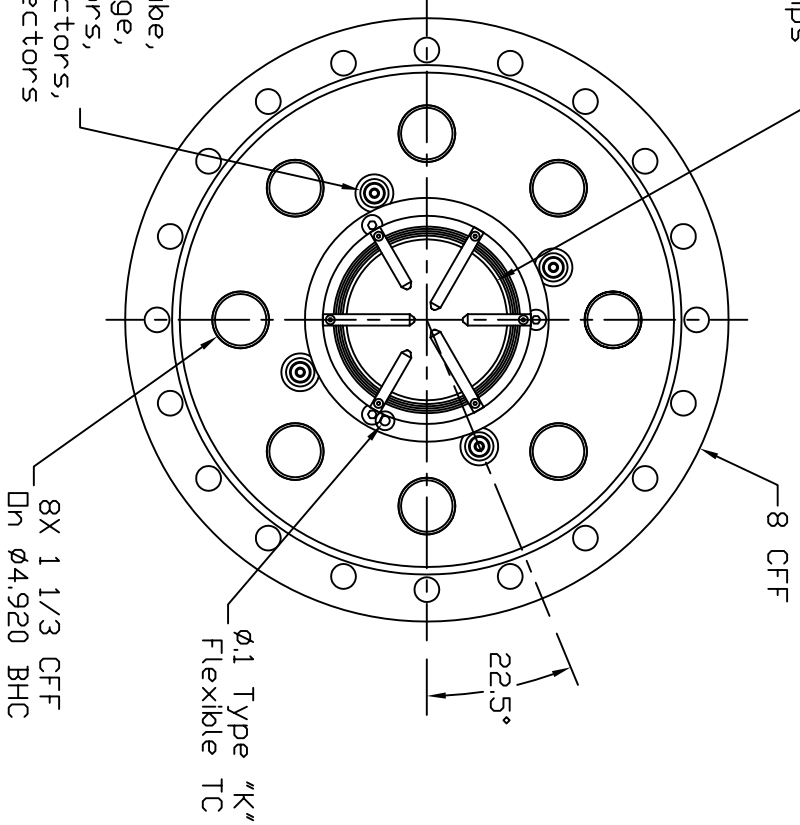
| REV | DESCRIPTION | DATE | APPROVED |
|-----|-------------|------|----------|
| | | | |

Ø2.0 Heater (101446-02)
With 6 Spring Clips

4X #4-40 UNC @ 90°
(For Customer Mounting)
@ 45° to Ø.050 Cu Feedthrus



4X Ø3/8 SST Tube,
Common To Flange,
Alumina Insulators,
Ø.05 Center Conductors,
Air Side, BNC Connectors,
Dn Ø3.62 BHC



Notes:
1.

This document is the property of HeatWave Labs. Its contents may not be reproduced or distributed without express written permission of HeatWave Labs.

UNLESS OTHERWISE SPECIFIED
ALL DIMENSIONS ARE IN INCHES.
TOLERANCES ARE:
XXXX = ±.005 XX = ±.020
FINISH 63 MICRORINCHES
ANGLES 0 DEGREE ±30 MINUTES
EDGES AND CORNERS .005 R MAX

MATERIAL
-

DD NOT SCALE DRAWING

| Qty. | Part # | Description | Item # |
|------|--------|---------------------------------|--------|
| 1 | 103901 | Flange Mounted Ø2.0 Heater Assy | 1 |

| | | | |
|------|----------|----------|--|
| BY | | DATE | |
| ENGR | M.Curtis | 12/14/06 | |

| | | | |
|---------------------|--|--|--|
| HeatWave Labs, Inc. | | 195 Aviation Way, Suite 100 (831) 722-9081 | |
| | | Watsonville, Ca. 95076 Fax: (831) 722-5491 | |
| | | Website: www.cathode.com | |

| | | | |
|----------------|----------|--------|-----|
| Flange Mounted | DWG. NO. | 103895 | REV |
| 101446 Heater | SCALE: | 0.4X | 2 |
| | SHEET: | 1/1 | |