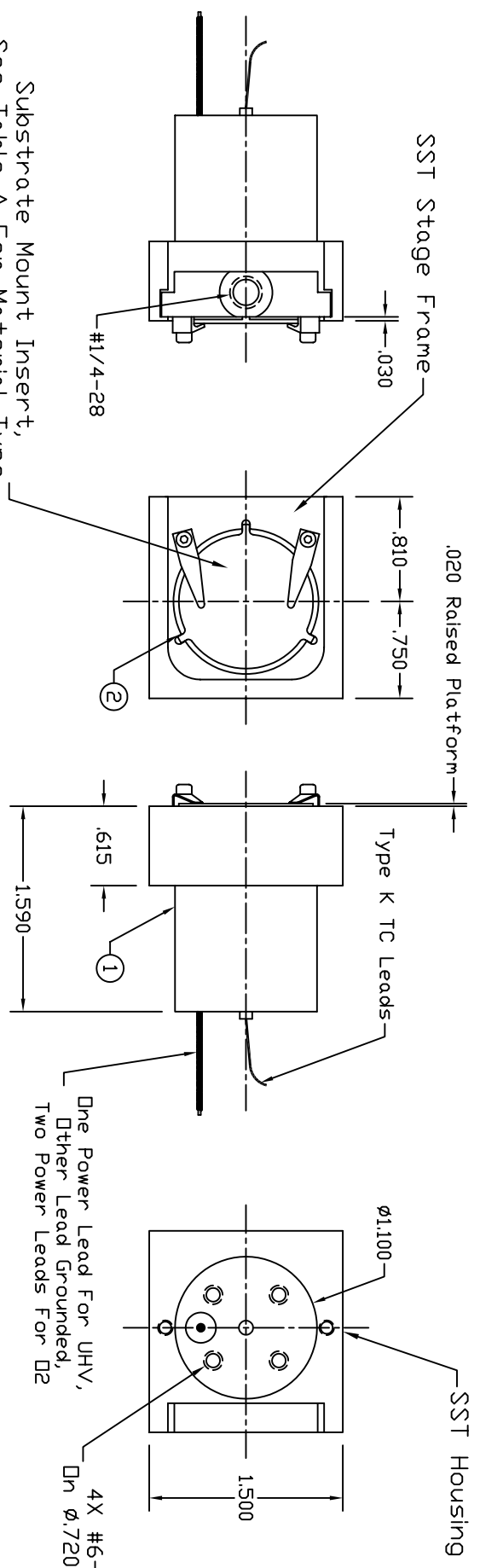


Dash #	Next Assembly
-	-

REV	DESCRIPTION	DATE	APPROVED



Substrate Mount Insert,
See Table A For Material Type

Table A

Dash #	Atmosphere	Stage Mat'l
-01	UHV	Moly
-02	UHV/D2	SST
-03	D2	Inconel

-03	-02	-01
X	-	-
-	-	X
-	X	-
1	1	-
-	-	1

Qty.	Qty.	Qty.	Part #	Description	Item #
-	-	-	103775-03	Raised Sample Stage	2
-	-	X	103775-02	Raised Sample Stage	2
-	X	-	103775-01	Raised Sample Stage	2
1	1	-	103792-02	Ø1.0 Bifilar Heater w/Dock	1
-	-	1	103792-01	Ø1.0 Bifilar Heater w/Dock	1

Notes:
1. Shown with optional sample stage and optional thermocouple.

UNLESS OTHERWISE SPECIFIED
ALL DIMENSIONS ARE IN INCHES.
TOLERANCES ARE:
XXX = ±.005 XX = ±.020
XXXX = ±.0005
FINISH 63 MICRONDINGS
ANGLES 0 DEGREE ±30 MINUTES
EDGES AND CORNERS .005 R MAX

HeatWave Labs, Inc.
195 Aviation Way, Suite 100 (831) 722-9081
Watsonville, Ca. 95076 Fax: (831) 722-5491
Website: www.cathode.com

BY	DATE	SIZE	Cage Code	DWG. NO.	REV
ENGR	M.Curtis	10/10/06	A	1YAN4	103774
MATERIAL		Ø1.0 Bifilar Heater w/Dock & Raised Stage		SCALE: 08X	SHEET: 1/1
DD NOT SCALE DRAWING		THIRD ANGLE PROJECTION			

This document is the property of HeatWave Labs. Its contents may not be reproduced or distributed without express written permission of HeatWave Labs.