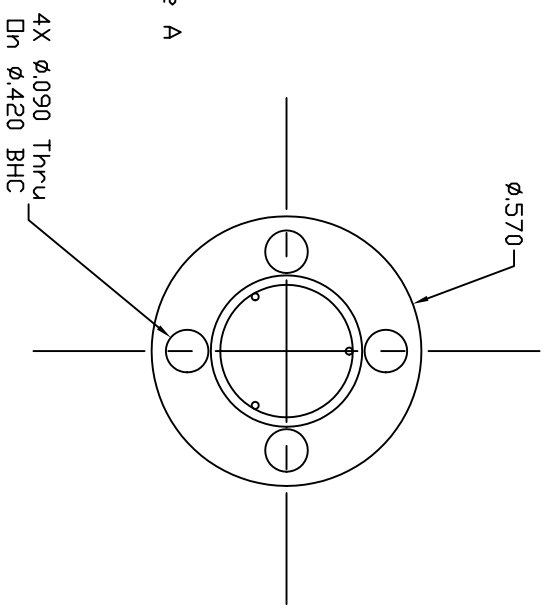
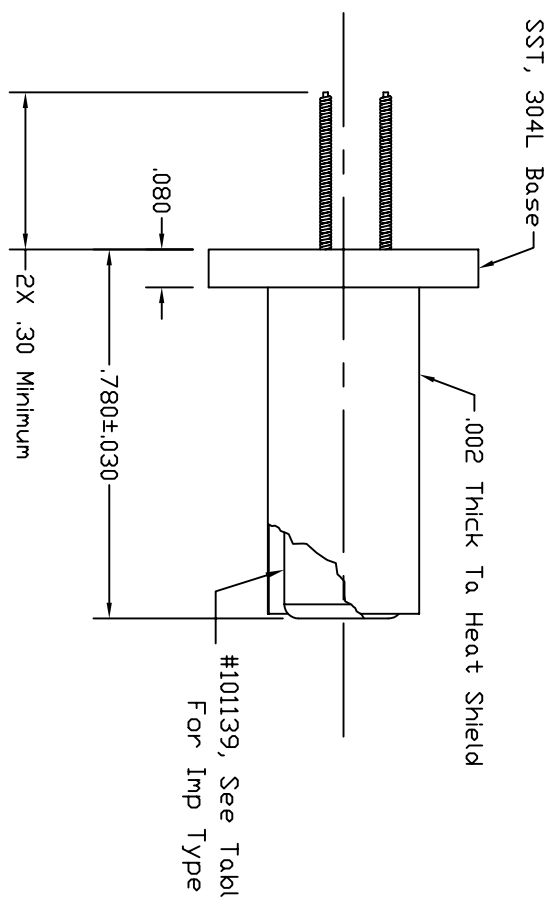


Dash #	Next Assembly
-	-

REVISIONS		
REV	DESCRIPTION	DATE

Table A

Dash #	Element
-01	Cs
-02	Na
-03	K
-04	Li6
-05	Li7
-06	Rb
-07	Ba
-08	Mg
-09	-
-10	-
-11	Sr
-12	No Imp
-13	Ca
-XX	Mixes



Notes:

1. This document is the property of HeatWave Labs. Its contents may not be reproduced or distributed without express written permission of HeatWave Labs.

UNLESS OTHERWISE SPECIFIED
ALL DIMENSIONS ARE IN INCHES.
TOLERANCES ARE:
XXXX = ±.005 XX = ±.020
FINISH 63 MICRONDINCHES
ANGLES 0 DEGREE ±30 MINUTES
EDGES AND CORNERS .005 R MAX

MATERIAL
-
DD NOT SCALE DRAWING

Qty.	Part #	Description	Item #
1	103072	Mounted Ion Source	-

HeatWave Labs, Inc.
195 Aviation Way, Suite 100 (831) 722-9081
Watsonville, Ca. 95076 Fax: (831) 722-5491
Website: www.athode.com

Mounted Ion Source

SIZE A
Code Code DWG. NO. 103060
1VAN4
SCALE: 2.5X SHEET: 1/1