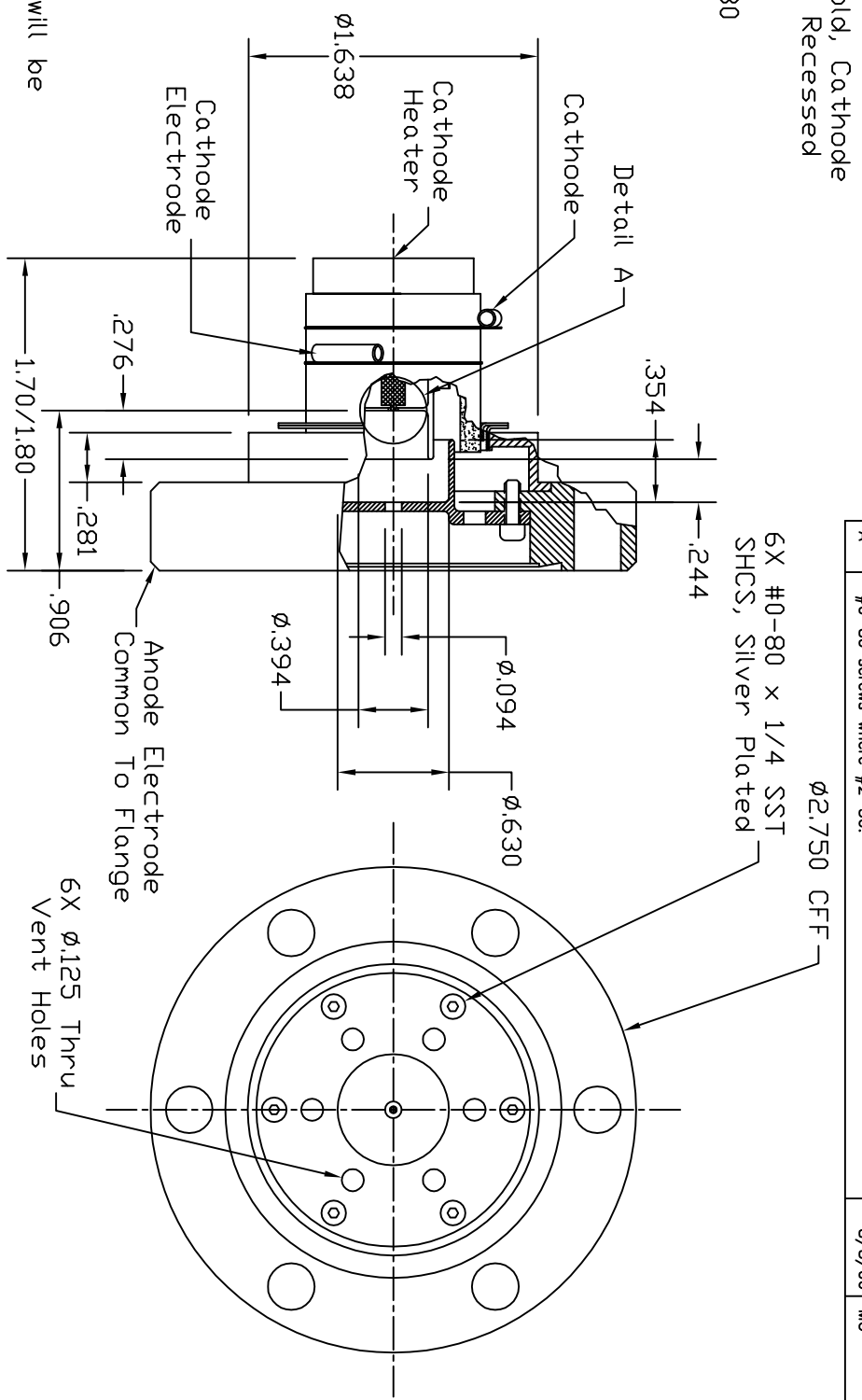
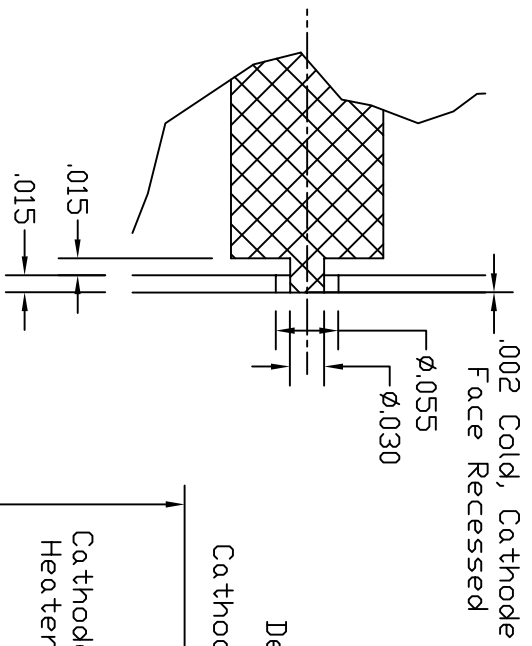


| | |
|--------|---------------|
| Dash # | Next Assembly |
| - | - |

| REVISIONS | | | |
|-----------|---------------------------|--------|----------|
| REV | DESCRIPTION | DATE | APPROVED |
| A | #0-80 screws where #2-56. | 8/8/06 | MC |



- Notes:
1. The Cathode Electrode will be made out of Monel T404.
 2. The Anode Electrode will be made out of Moly.
 3. The cathode will be of type 61280M.
 4. Typical operation:
6.0V, 1.42A @ 1100°C

This document is the property of HeatWave Labs. Its contents may not be reproduced or distributed without express written permission of HeatWave Labs.

UNLESS OTHERWISE SPECIFIED
ALL DIMENSIONS ARE IN INCHES.
TOLERANCES ARE:
XXX = ±.005 XX = ±.020
XXXX = ±.0005
FINISH 63 MICRONS
ANGLES 0 DEGREE ±30 MINUTES
EDGES AND CORNERS .005 R MAX

MATERIAL
-

DD NOT SCALE DRAWING

| Qty. | Part # | Description | Item # |
|------|--------|-----------------------------|--------|
| 1 | 103699 | Shipping Container | 2 |
| 1 | 102822 | Flange Mounted Electron Gun | 1 |

HeatWave Labs, Inc.
195 Aviation Way, Suite 100 (831) 722-9081
Watsonville, Ca. 95076 Fax: (831) 722-5491
Website: www.cathode.com

BY DATE
ENGR M.Curtis 10/29/04

Flange Mounted
Electron Gun

SIZE Cage Code DWG. NO. REV
A 1YAN4 102819 A

THIRD ANGLE PROJECTION SCALE: 1x SHEET: 1/1