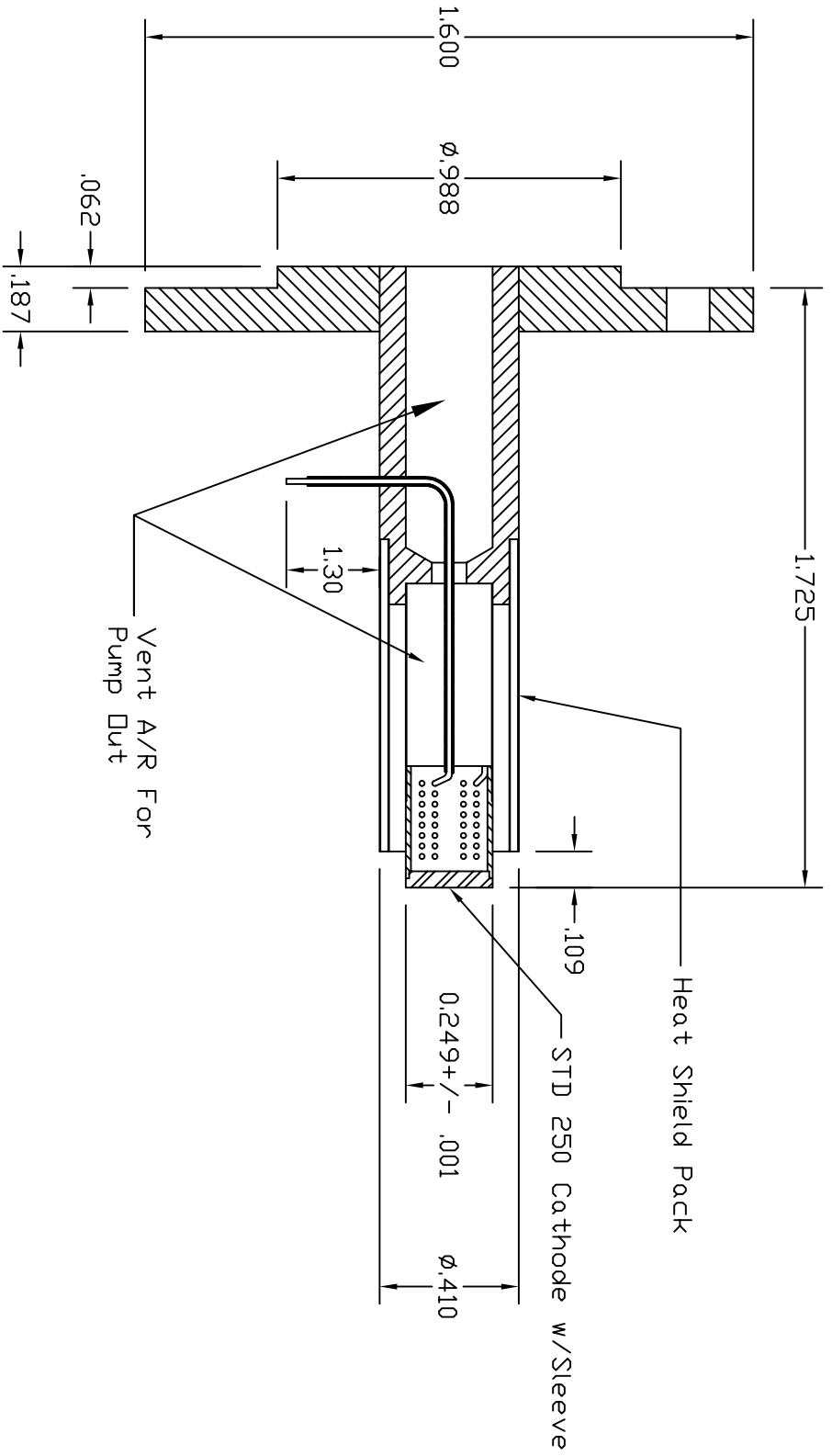


Dash #	Next Assembly
-	-

REVISIONS		
REV	DESCRIPTION	DATE



Notes:
1.

This document is the property of HeatWave Labs. Its contents may not be reproduced or distributed without express written permission of HeatWave Labs.

UNLESS OTHERWISE SPECIFIED
ALL DIMENSIONS ARE IN INCHES.
TOLERANCES ARE:
XXXX = ±.005 XX = ±.020
XXXXX = ±.0005
FINISH 63 MICRONDINGERS
ANGLES 0 DEGREE ±30 MINUTES
EDGES AND CORNERS .005 R MAX

MATERIAL
-

DD NOT SCALE DRAWING

Qty.	Part #	Description	Item #

HeatWave Labs, Inc.		195 Aviation Way, Suite 100 (831) 722-9081	
Watsonville, Ca. 95076		Fax: (831) 722-5491	
Website: www.cathode.com			

BY	DATE	SIZE A Code Code 1VAN4 DWG. NO. 102645 REV -
ENGR M.Curtis	3/11/02	

THIRD ANGLE PROJECTION	SCALE: 1.5X	SHEET: 1/1
------------------------	-------------	------------