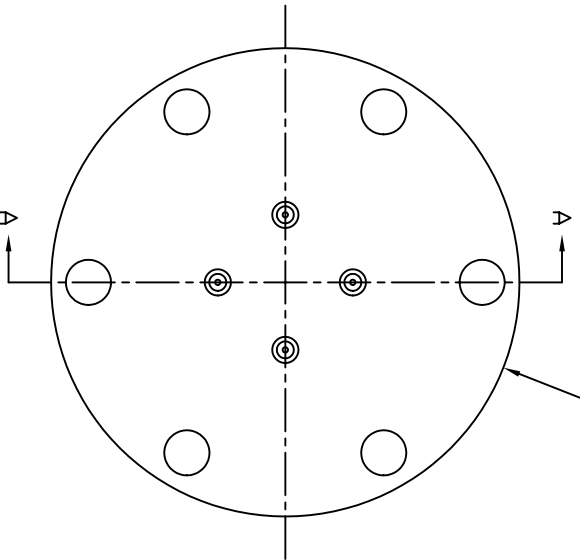


Dash #	Next Assembly
-	-

REVISIONS			
REV	DESCRIPTION	DATE	APPROVED
A	Changes to cathode, insulator and added post.	3/26/04	MC



ø2.750 CFF,  
Non-Rotatable,  
Not Tapped

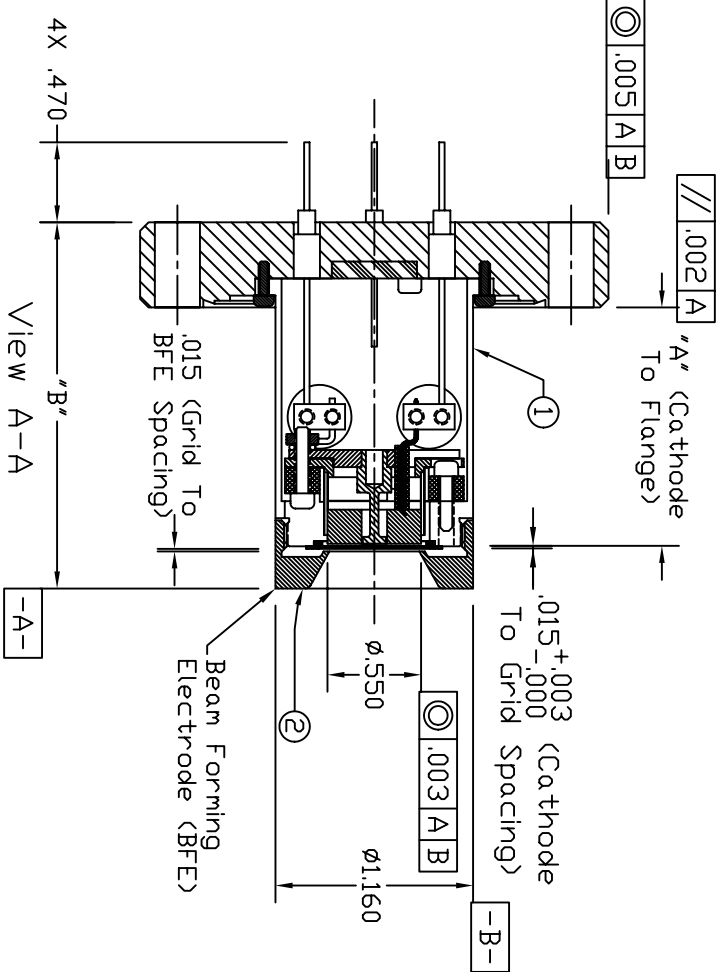


Table A

Dash #	"A"	"B"
-01	.944	1.694
-02	1.400	2.150
-03	-	-

This document is the property of HeatWave Labs. Its contents may not be reproduced or distributed without express written permission of HeatWave Labs.

UNLESS OTHERWISE SPECIFIED  
ALL DIMENSIONS ARE IN INCHES.  
TOLERANCES ARE:  
XXXX = ±.005 XX = ±.020  
XXXXX = ±.0005  
FINISH 63 MICROINCHES  
ANGLES 0 DEGREE ±30 MINUTES  
EDGES AND CORNERS .005 R MAX

MATERIAL  
-

DD NOT SCALE DRAWING

Qty.	Part #	Description	Item #
1	102402	Bell Jar Test Stand	-
1	102401	Shipping Jig	-
1	102388	Shipping Container	-
1	102308	Beam Forming Electrode	2
1	102309	Electron Gun w/Ion Trap	1

**HeatWave Labs, Inc.**  
195 Aviation Way, Suite 100 (831) 722-9081  
Watsonville, Ca. 95076 Fax: (831) 722-5491  
Website: www.cathode.com

BY	DATE	Electron Gun w/Ion Trap	SIZE	Cage Code	DWG. NO.	REV
ENGR	M.Curtis					
7/18/03			A	1VAN4	102244	A
THIRD ANGLE PROJECTION			SCALE: 0.9X	SHEET: 1/1		