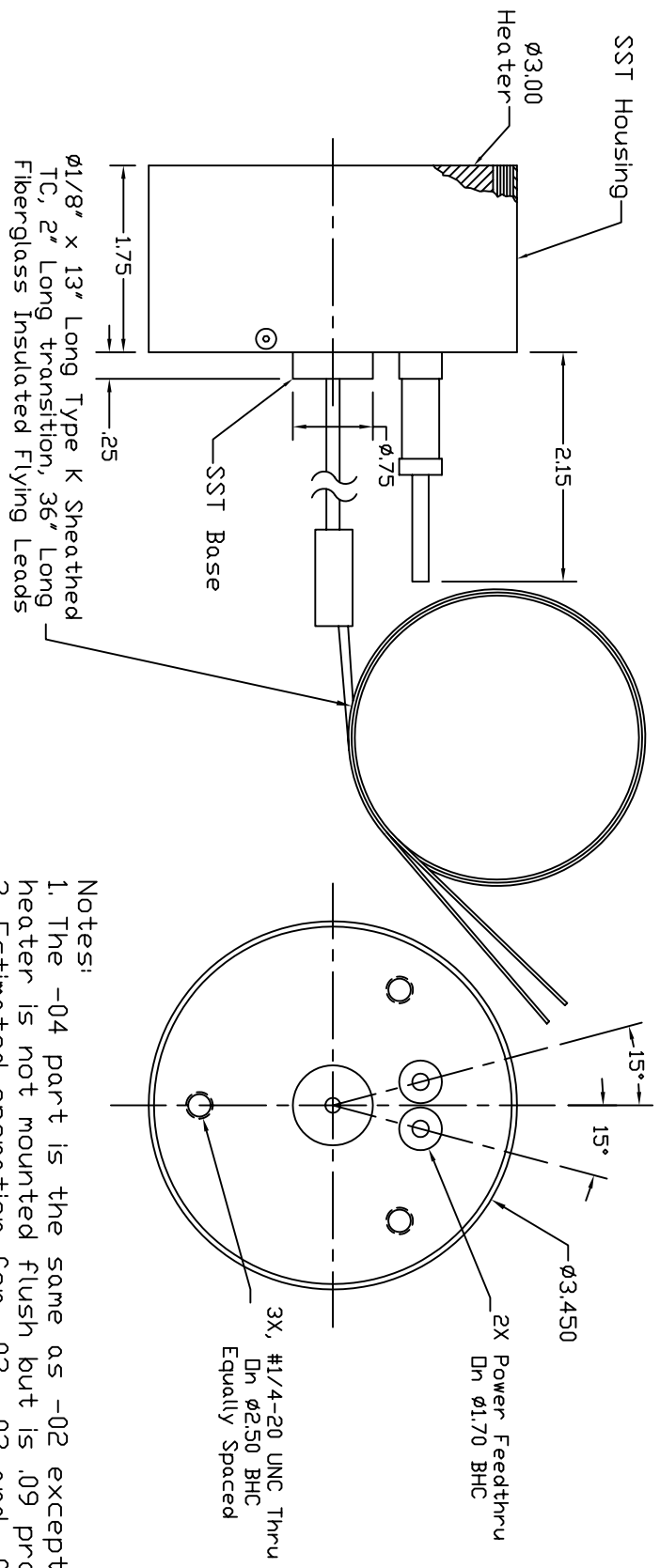


Dash # Next Assembly

DWG. NO. 102193

REVISIONS			
REV	DESCRIPTION	DATE	APPROVED
1	Added -04 and notes.	9/27/10	MC



Dash #	Atmosphere
-01	UHV
-02	Oxidizing
-03	UHV/Oxidizing
-04	UHV/Oxidizing

Table A

Dash #	Qty.	Part #	Description	Item #
-04	1	102209-04	Ø3.0 Heater/Shield Assembly	-
-03	1	102209-02	Ø3.0 Heater/Shield Assembly	-
-02	1	102209-02	Ø3.0 Heater/Shield Assembly	-
-01	1	-	Ø3.0 Heater/Shield Assembly	-

UNLESS OTHERWISE SPECIFIED
ALL DIMENSIONS ARE IN INCHES.
TOLERANCES ARE:
XXXX = ±.005 XX = ±.020
FINISH 63 MICRONS
ANGLES 0 DEGREE ±30 MINUTES
EDGES AND CORNERS .005 R MAX

HeatWave Labs, Inc.
195 Aviation Way, Suite 100 (831) 722-9081
Watsonville, Ca. 95076 Fax: (831) 722-5491
Website: www.ca.thode.com

BY DATE
ENGR M.Curtis 5/19/03
DRAWN
MATERIAL
DD NOT SCALE DRAWING
SIZE FSCN NO. DWG. NO. 102193
SCALE: 06x SHEET: 1/1

This document is the property of HeatWave Labs. Its contents may not be reproduced or distributed without express written permission of HeatWave Labs.