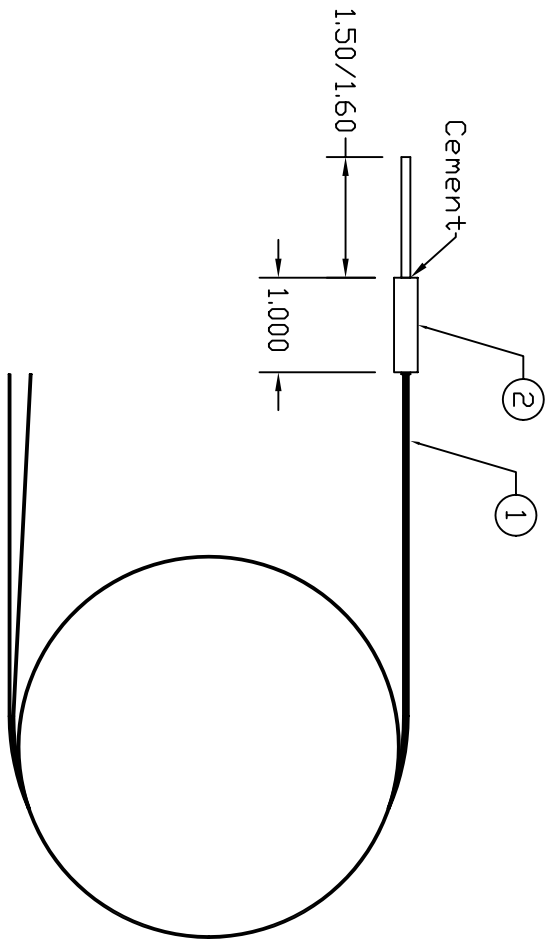


REVISIONS			
REV	DESCRIPTION	DATE	APPROVED
A	1.50/1.60 was 1.275.	10/8/03	MC

Dash #	Next Assembly
-	-



Qty.	Part #	Description	Item #
1	ASB-250094	Alumina Tube	2
1	101689-06	Thermocouple	1

HeatWave Labs, Inc.
 195 Aviation Way, Suite 100 (831) 722-9081
 Watsonville, Ca. 95076 Fax: (831) 722-5491
 Website: www.cathode.com

UNLESS OTHERWISE SPECIFIED
 ALL DIMENSIONS ARE IN INCHES.
 TOLERANCES ARE:
 .XXX = ±.005 .XX = ±.020
 .XXXX = ±.0005
 FINISH 63 MICROINCHES
 ANGLES 0 DEGREE ±30 MINUTES
 EDGES AND CORNERS .005 R MAX

MATERIAL
 Noted

DD NOT SCALE DRAWING

Notes:
 1. This document is the property of HeatWave Labs. Its contents may not be reproduced or distributed without express written permission of HeatWave Labs.

BY DATE
 ENGR M.Curtis 8/28/02

Size A Code Code DWG. NO. 101954 REV A

THIRD ANGLE PROJECTION SCALE: 0.5X SHEET: 1/1

Type K Thermocouple Assembly