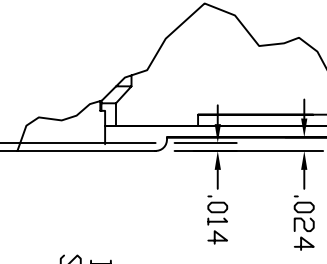
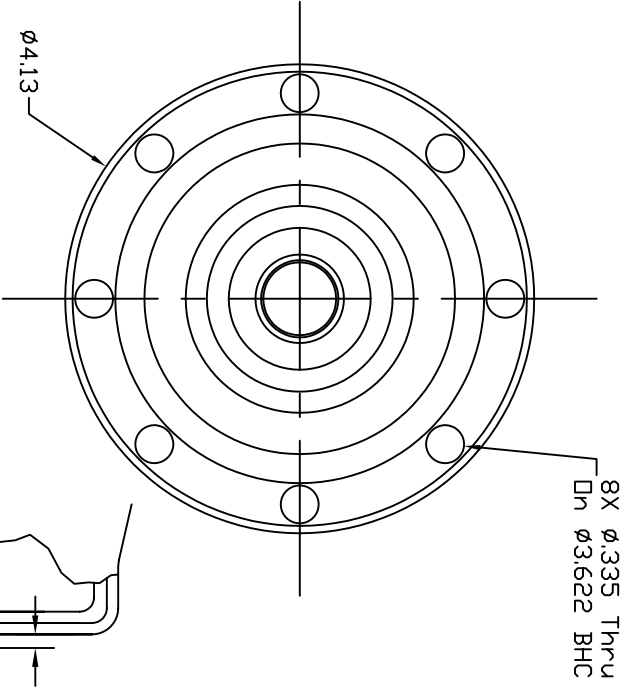
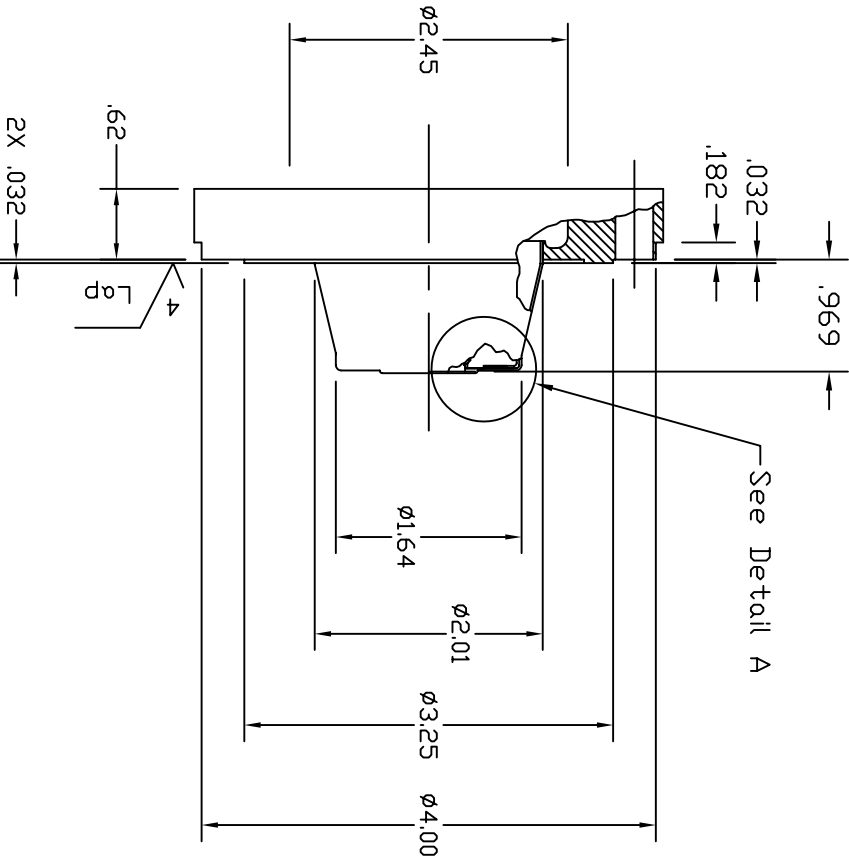


Dash # Next Assembly

DWG. NO. 101919

REVISIONS			
REV	DESCRIPTION	DATE	APPROVED
A	Added detail A and released for production.	12/6/02	MC



Detail A  
Scale 3X

This document is the property of HeatWave Labs. Its contents may not be reproduced or distributed without express written permission of HeatWave Labs.

UNLESS OTHERWISE SPECIFIED  
ALL DIMENSIONS ARE IN INCHES.  
TOLERANCES ARE:  
XXX = ±.005 XX = ±.020  
XXXX = ±.0005  
FINISH 63 MICRONS  
ANGLES 0 DEGREE ±30 MINUTES  
EDGES AND CORNERS .005 R MAX

MATERIAL  
-

DO NOT SCALE DRAWING

1	102005	Electron Gun	-
Qty.	Part #	Description	Item #
<p><b>HeatWave Labs, Inc.</b> 195 Aviation Way, Suite 100 (831) 722-9081 Watsonville, Ca. 95076 Fax: (831) 722-5491 Website: www.cathode.com</p>			
DRAWN		BY	
ENGR	M.Curtis	DATE	6/19/02
SIZE		DWG. NO.	REV
A	Cage Code 1YAN4	101919	A
HWEG-1919 Electron Gun			SHEET: 1/1
SCALE: 06X			