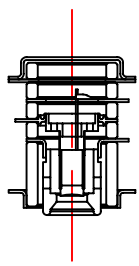
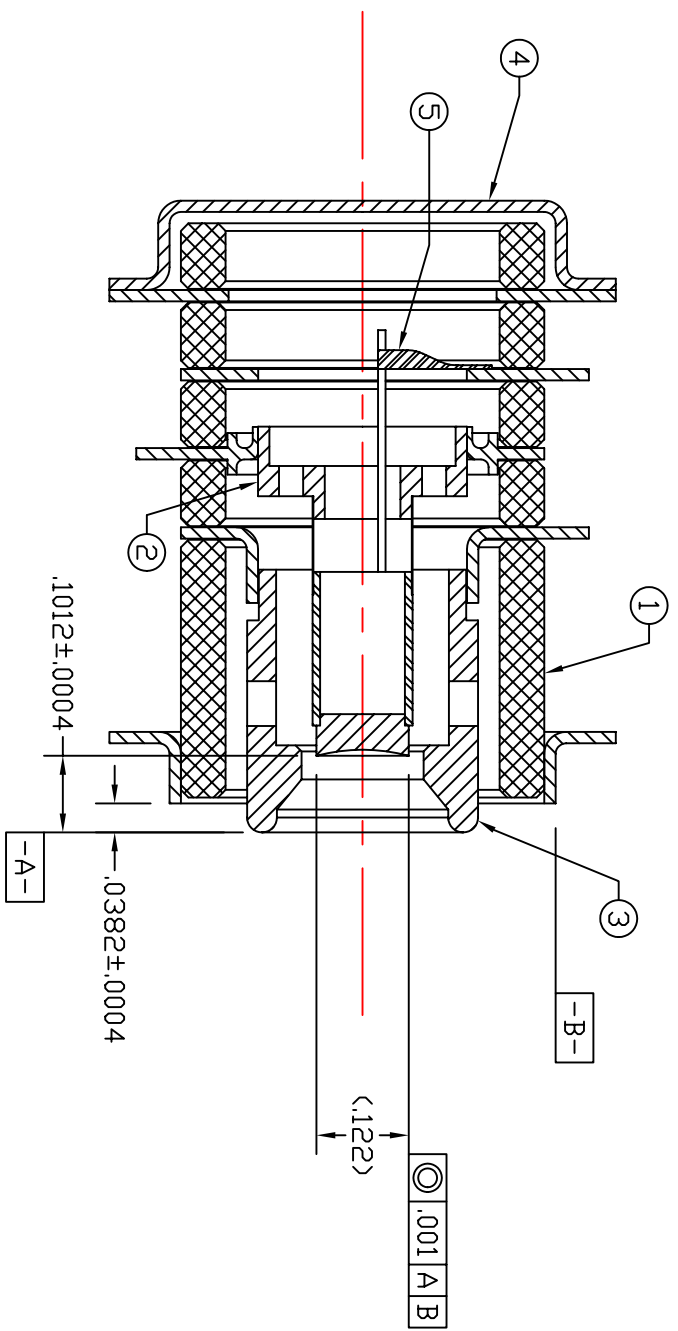


Dash #	Next Assembly
-	-

REVISIONS			
REV	DESCRIPTION	DATE	APPROVED
A	Many design and dimensional changes.	7/24/02	MC



Actual Size

Notes:
 1. This document is the property of HeatWave Labs. Its contents may not be reproduced or distributed without express written permission of HeatWave Labs.

UNLESS OTHERWISE SPECIFIED
 ALL DIMENSIONS ARE IN INCHES.
 TOLERANCES ARE:
 .XXX = ±.005 .XX = ±.020
 .XXXX = ±.0005
 FINISH 63 MICRONS
 ANGLES 0 DEGREE ±30 MINUTES
 EDGES AND CORNERS .005 R MAX

MATERIAL
 -

DD NOT SCALE DRAWING

Qty.	Part #	Description	Item #
1	101910	Electron Gun Laser Welding Fixture	-
1	101885	Electrode Lead	5
1	101888	Gun Cap	4
1	101886	Focus Electrode	3
1	101866	Cathode Assembly	2
1	101871	Gun Body	1

HeatWave Labs, Inc.
 195 Aviation Way, Suite 100 (831) 722-9081
 Watsonville, Ca. 95076 Fax: (831) 722-5491
 Website: www.cathode.com

BY	DATE	SIZE	FSCN NO.	DWG. NO.	REV
ENGR	M.Curtis	5/2/02	A	101900	A

Electron Gun

THIRD ANGLE PROJECTION SCALE: 4X SHEET: 1/1