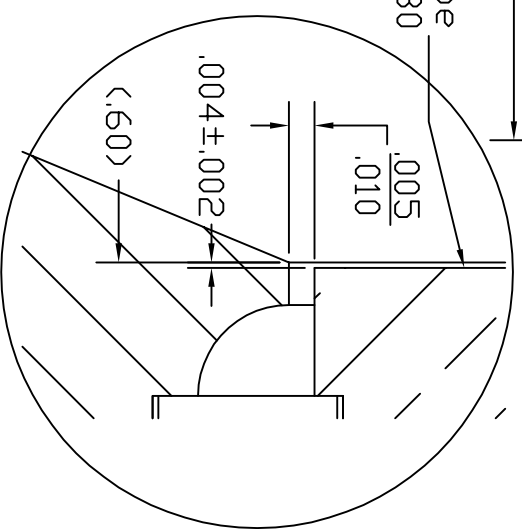
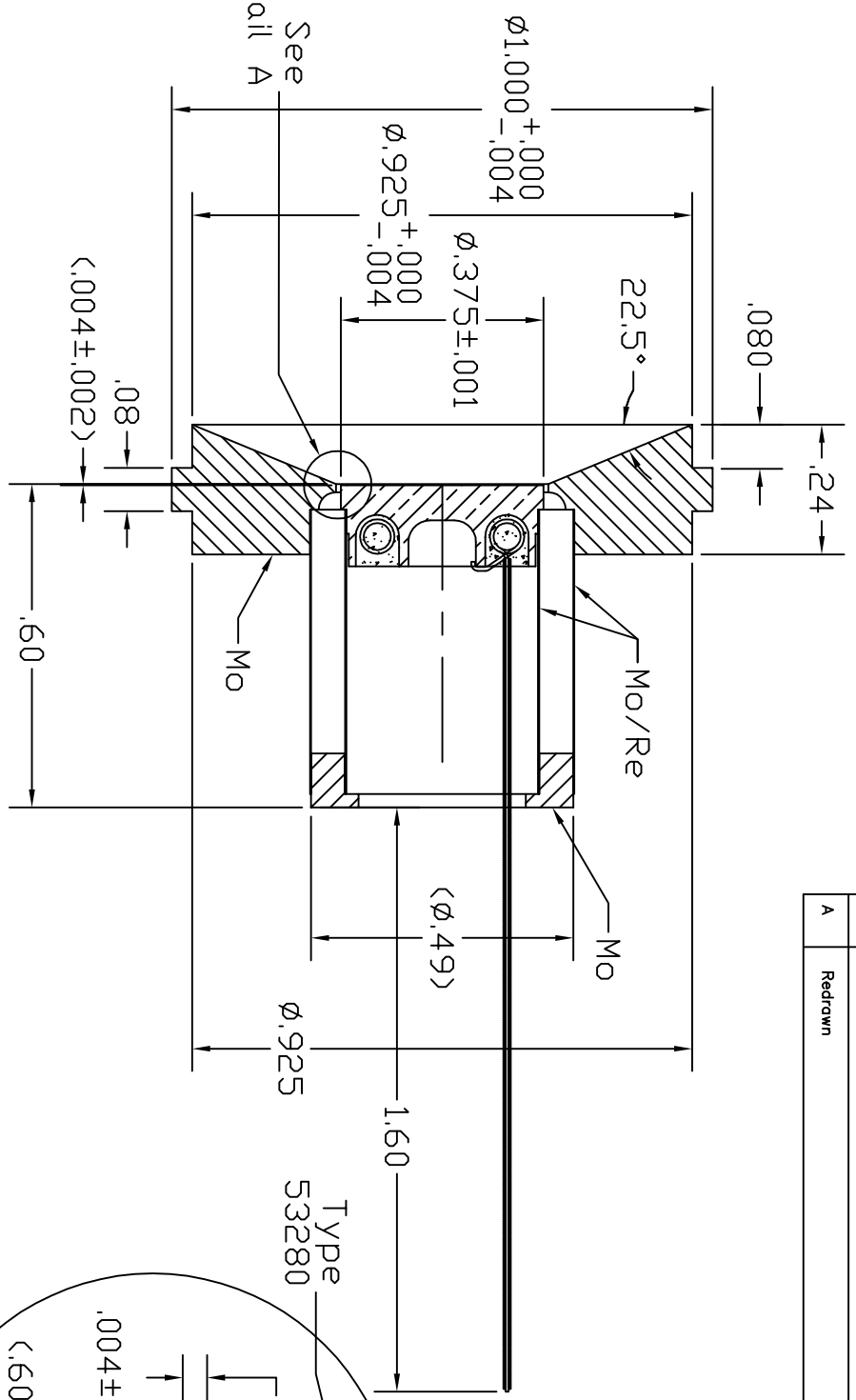


REVISIONS

REV	DESCRIPTION	DATE	APPROVED
A	Redrawn	2/18/00	KMG



Detail A
Scale: 5x

Notes:
1.

This document is the property of HeatWave Labs. Its contents may not be reproduced or distributed without express written permission of HeatWave Labs.

HeatWave Labs

195 Aviation Way, Suite 100
Watsonville, Ca. 95076
Website: www.cathode.com

Cathode/Focus Electrode

UNLESS OTHERWISE SPECIFIED
ALL DIMENSIONS ARE IN INCHES.
TOLERANCES ARE:
XXX = ±.005 XX = ±.020
XXXX = ±.0005
FINISH 63 MICROINCHES
ANGLES 0 DEGREE ±30 MINUTES
EDGES AND CORNERS .005 R MAX

BY	DATE
ENGR	1/1/96

SIZE	FSCN NO.	DWG. NO.	REV
A		101242	A
SCALE: 1x			SHEET: 1/1

DD NOT SCALE DRAWING