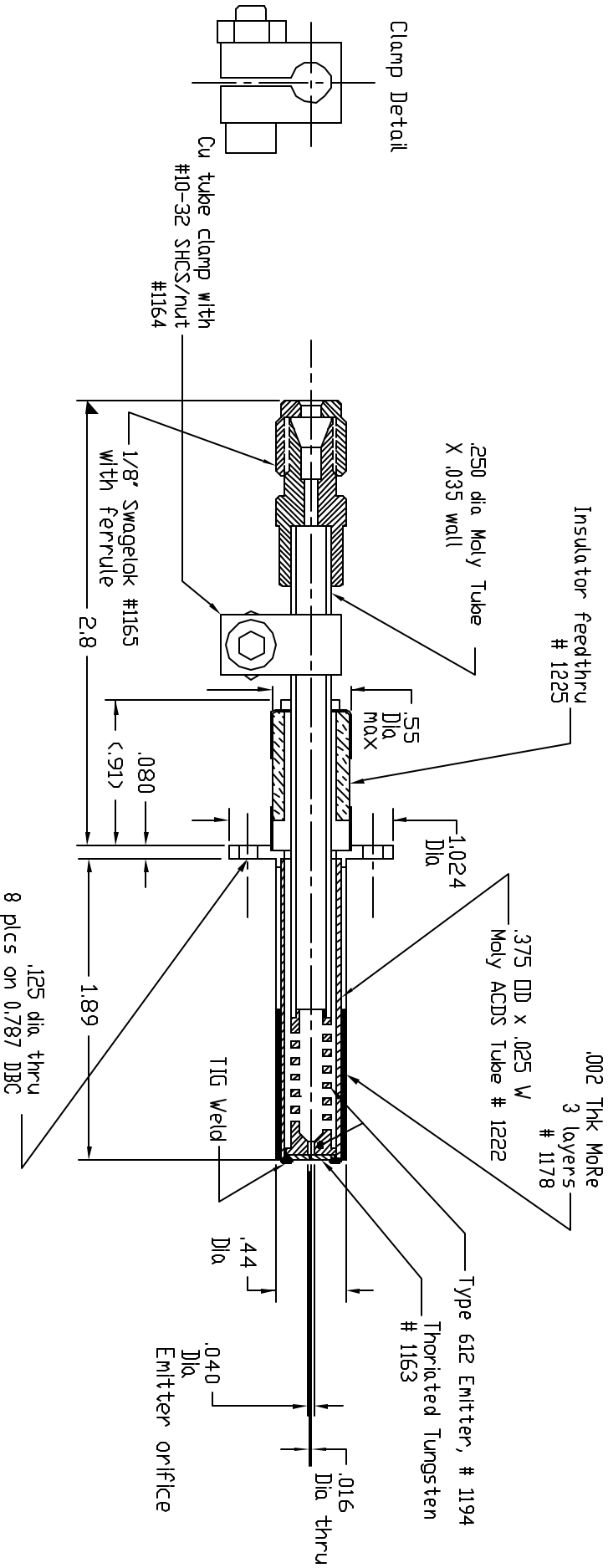


REVISIONS

REV	DESCRIPTION	ECD	DATE	APPROVED
C	Add Clamp Detail		3/31/97	KMG
C1	Add Component Part Numbers		5/24/97	KMG



This document is property of HeatWave Labs. Its contents may not be reproduced or distributed without express written permission of HeatWave Labs.

UNLESS OTHERWISE SPECIFIED
ALL DIMENSIONS ARE IN INCHES.
XXX = ±.005 XX = ±.020
XXXX = ±.0005
FINISH 32 MICROINCHES
ANGLES 500 MINUTES
EDGES & CORNERS .016 R MAX

BY	DATE

HeatWave Labs 195 Aviation Way, Suite 100, Watsonville
CA 95076-2069 www.cathode.com

3/8" Hollow Cathode

SIZE F3CN ND. DWG. ND. 101220 REV C1
A

SCALE: 1/1 SHEET: 1/1

DO NOT SCALE DRAWING