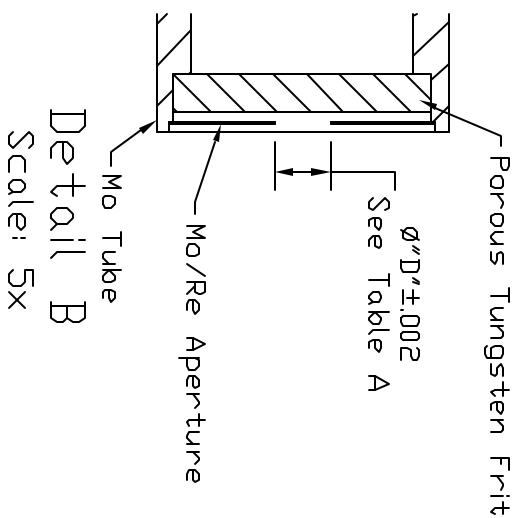
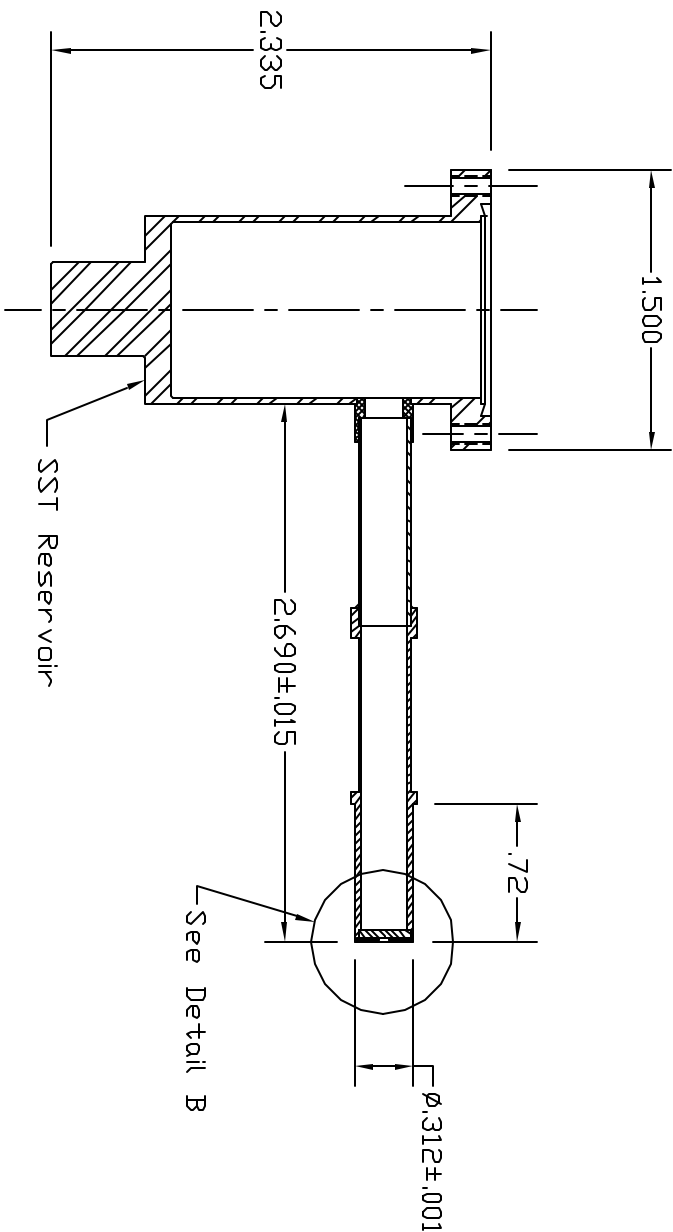


REVISIONS

REV	DESCRIPTION	DATE	APPROVED
1	Redrawn on ACAD, added page 2.	11/15/01	MC

Table A

Dash #	"D"
-01	Ø.039
-02	Ø.059
-03	Ø.079
-04	Ø.165



- Notes:
- Optional parts:
 - Reservoir Cap 101268
 - Gasket 101415
 - Screw Kit 101457
 - Frit Heater 101444/101149
 - Reservoir Heater 101448/101422
 - Electrode 101647

This document is the property of HeatWave Labs. Its contents may not be reproduced or distributed without express written permission of HeatWave Labs.

UNLESS OTHERWISE SPECIFIED
ALL DIMENSIONS ARE IN INCHES
TOLERANCES ARE:
xxx = ±.003 .xx = ±.020
xxxx = ±.001
FINISH 63 MICRONS
ANGLES 0 DEGREE 30 MINUTES
EDGES AND CORNERS .105 R MAX

MATERIAL

DD NOT SCALE DRAWING

HeatWave Labs, Inc.

195 Aviation Way, Suite 100 (831) 722-9081
Watsonville, Ca. 95076 Fax: (831) 722-5491
Website: www.ca.thode.com

BY	DATE
ENGR	11/15/01

Ionizer/Reservoir
w/ Aperture

SIZE	FSCN NO.	DWG. NO.	REV
A		101200	1

THIRD ANGLE PROJECTION SCALE: 1X SHEET: 1/2